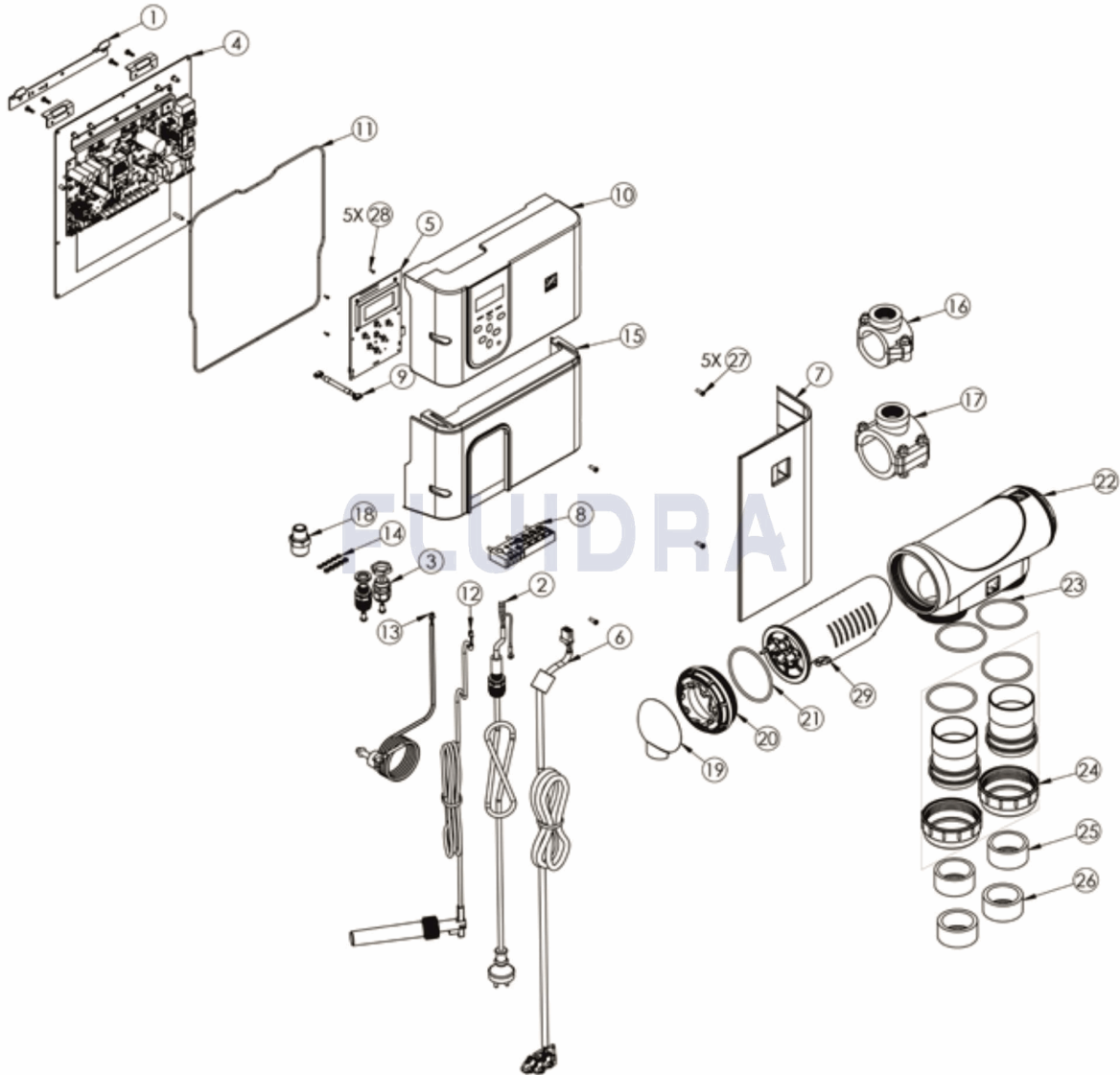


CODIGO **WW000166, WW000167, WW000168, WW000169**

 DESCRIPCION: **EXO® / ES**

**ESPAÑOL**

POS	CODIGO	DESCRIPCION	CANTIDAD	POS	CODIGO	DESCRIPCION	CANTIDAD
1	R0821100	KIT FIJACIÓN MURAL		16	W013010	ABRAZADERA DM 50 M COMPLETO (ADAP1	
2	R0821200	CABLE ALIMENTACIÓN SECTOR 230V		17	W013011	ABRAZADERA DM 63 M COMPLETO (ADAP1	
3	R0821600	KIT PRENSA - ESTOPAS		18	R0797200	ADAPTADOR 1/2" - 3/4" PARA DETECTOR D	
4	R0821700	CONJUNTO CARTA ELECTRÓNICA ALIMEN		19	R0740800	TAPÓN DE PROTECCIÓN DE TERMINALES	
5	R0822300	TARJETA ELECTRÓNICA DE CONTROL IHM		20	R0740600	ROSCA DE FIJACIÓN DEL ELECTRODO	
6	R0822500	CABLE ALIMENTACIÓN CÉLULA		21	R0739000	JUNTA TÓRICA DE ESTANQUEIDAD DE ELE	
7	R0822600	MEDIA CUBIERTA BLANCA EXO®		22	R0740200	CUERPO DE CÉLULA VACÍA	
8	R0823000	PASACABLES FLEXIBLE		23	R0737700	JUNTA TÓRICA PARA RACOR DE UNIÓN DE	
9	R0823100	CABLE DE TARJETA ELECTRÓNICA DE CO		24	R0748700	CONJUNTO ADAPTADORES DE UNIÓN Ø 6	
10	R0823400	TAPA SUPERIOR EXO®		25	R0768600	ADAPTADOR PVC Ø50 MM PARA PEGAR	
11	R0823600	JUNTA TÓRICA CHASIS		26	R0770300	ADAPTADOR PVC 1 1/2" PARA PEGAR (UK)	
12	R0823800	INTERRUPTOR DE CAUDAL CON CONECTI		27	R0516700	TORNILLO 4*12 MM (PACK DE 5 UN.)	
13	R0823900	KIT Sonda de temperatura de agua (C		28	R0564500	TORNILLO 2,2*6,5 MM (5 UN.)	

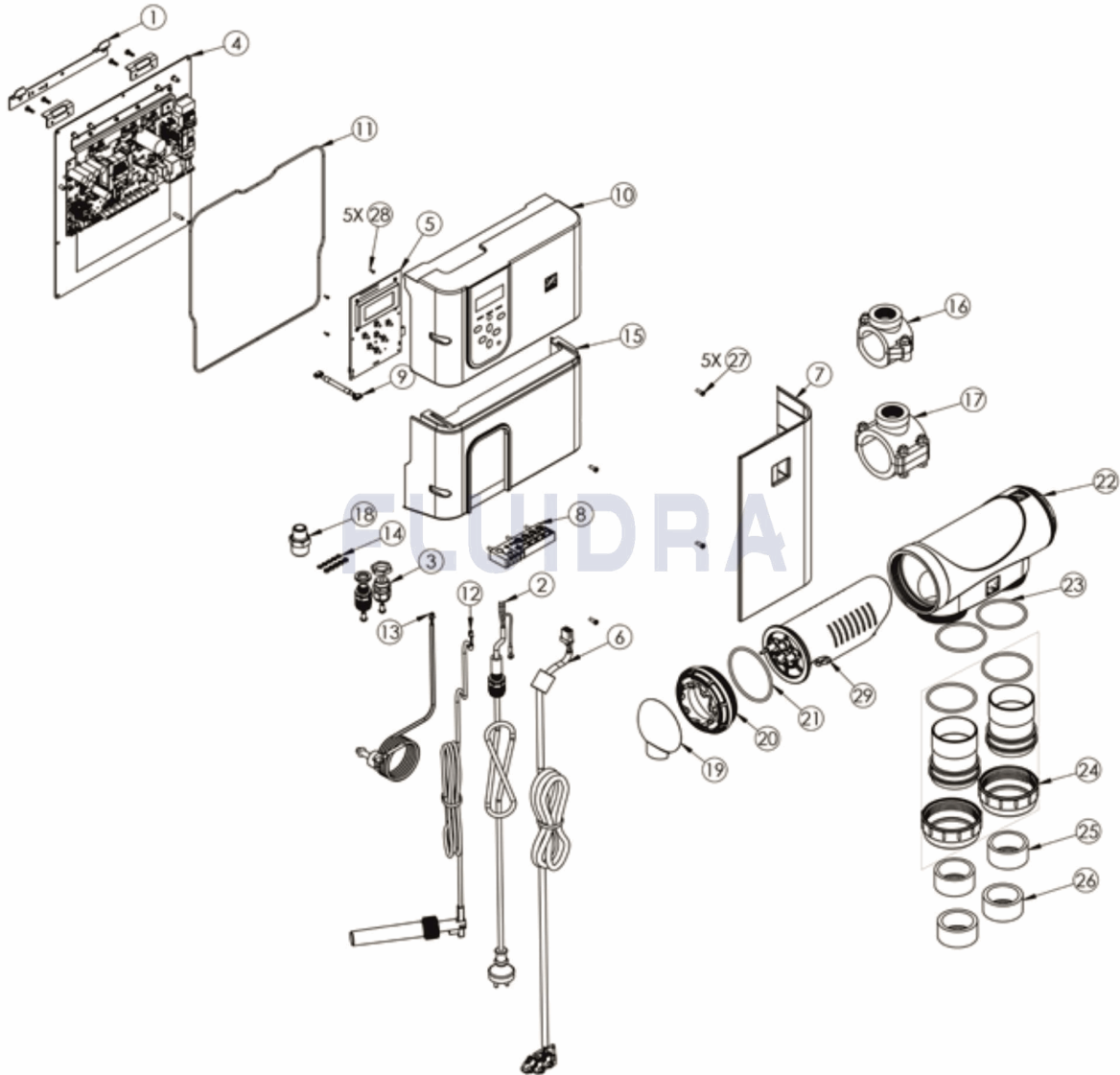
CODIGO **WW000166, WW000167, WW000168, WW000169**DESCRIPCION: **EXO® / ES**

14	R0824000	KIT TORNILLO+ ARANDELA PARA TOMA DE	29	* R0758400	ELECTRODO TRI 10 & TRI EXPERT 10
15	R0824200	TAPA INFERIOR GRIS EXO® IQ / EXO® IQ L	29	* R0758500	ELECTRODO EXO® IQ 18
29	* R0758600	ELECTRODO EXO® IQ 22	29	* R0758700	ELECTRODO EXO® IQ 35

CODIGO **WW000166, WW000167, WW000168, WW000169**DESCRIPCION: **EXO® / ES****OBSERVACIONES**

POS	CODIGO	OBSERVACIONES
29	* R0758400	PARA: WW000166
29	* R0758500	PARA: WW000167
29	* R0758600	PARA: WW000168
29	* R0758700	PARA: WW000169

CODE **WW000166, WW000167, WW000168, WW000169**

 DESCRIPTION: **EXO® / ES**


### FRANCAIS

POS	CODE	DESCRIPTION	QUANTITE	POS	CODE	DESCRIPTION	QUANTITE
1	R0821100	SUPPORT DE FIXATION MURALE + KIT VIS		16	W013010	COLLIER DE PRISE EN CHARGE DN50 MM	
2	R0821200	CÂBLE D'ALIMENTATION SECTEUR		17	W013011	COLLIER DE PRISE EN CHARGE DN63 MM	
3	R0821600	KIT PRESSE-ÉTOUPES		18	R0797200	ADAPTATEUR 1/2" - 3/4" POUR DÉTECTEUR	
4	R0821700	CARTE ALIMENTATION EXO®		19	R0740800	CAPUCHON DE PROTECTION DE CELLULE	
5	R0822300	CARTE DE CONTRÔLE IHM WI-FI		20	R0740600	BAGUE DE SERRAGE ÉLECTRODE	
6	R0822500	CÂBLE D'ALIMENTATION DE CELLULE		21	R0739000	JOINT TORIQUE D'ÉLECTRODE X2	
7	R0822600	DEMI COUVERCLE EXO® BLANC		22	R0740200	CORPS DE CELLULE VIDE	
8	R0823000	PASSE-FIL SOUPLE		23	R0737700	JOINT TORIQUE DE RACCORD UNION DE C	
9	R0823100	CÂBLE DE CARTE DE CONTRÔLE IHM		24	R0748700	ENSEMBLE RACCORD UNION POUR CELLU	
10	R0823400	CAPOT SUPÉRIEUR EXO®		25	R0768600	RÉDUCTEUR PVC DN50 MM À COLLER	
11	R0823600	JOINT-TORIQUE CHASSIS		26	R0770300	RÉDUCTEUR PVC 1 1/2" À COLLER (UK)	
12	R0823800	DÉTECTEUR DE DÉBIT AVEC CONNECTEU		27	R0516700	VIS 4*12 MM (X5)	
13	R0823900	KIT SONDE DE TEMPÉRATURE D'EAU (AVE		28	R0564500	VIS 2,2*6,5 MM (X5)	

CODE **WW000166, WW000167, WW000168, WW000169**DESCRIPTION: **EXO® / ES**

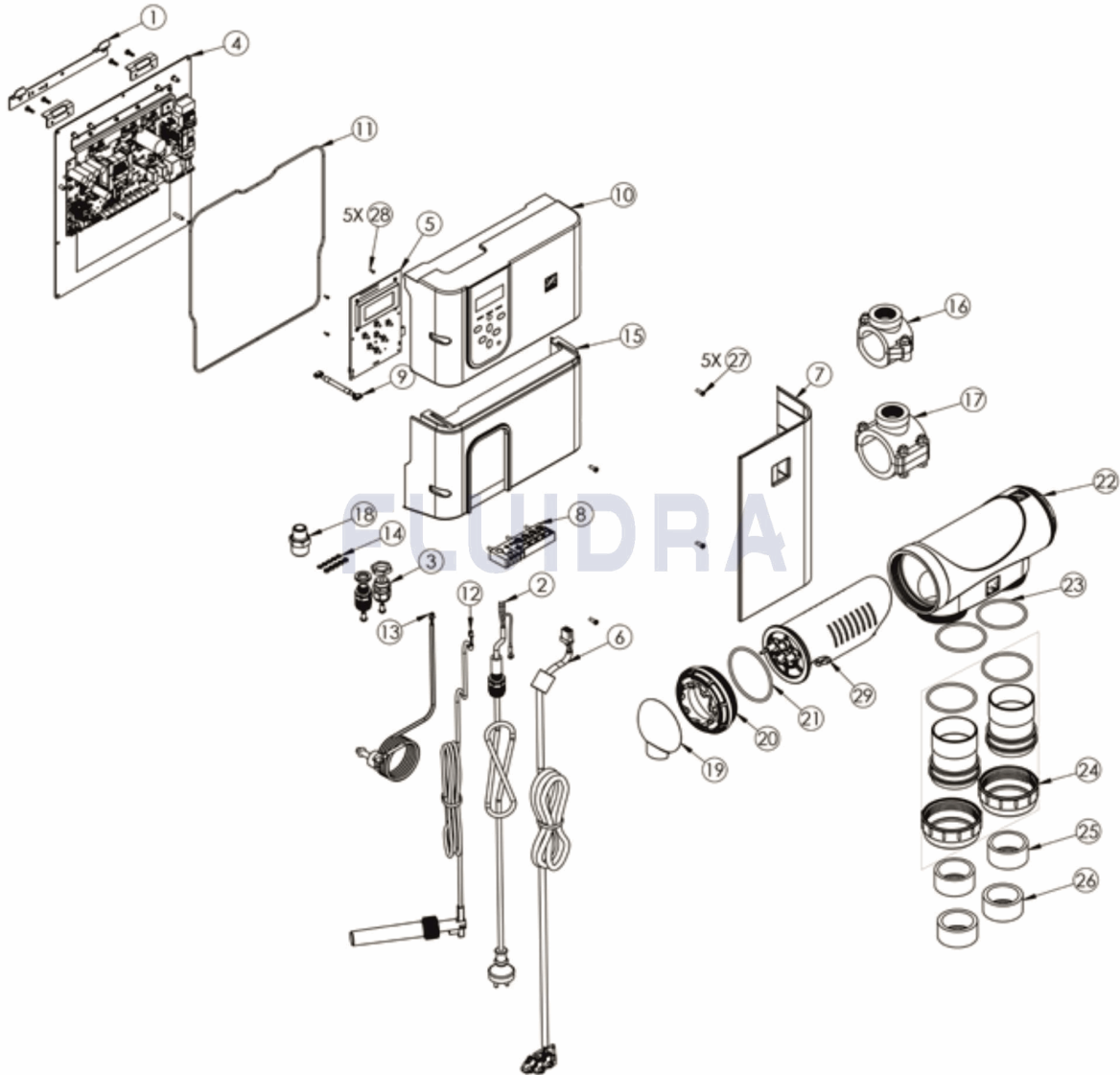
14	R0824000	KIT DE MISE À LA TERRE (X5)	29	* R0758400	ELECTRODE TRI 10 & TRI EXPERT 10 COMI
15	R0824200	CAPOT INFÉRIEUR GRIS EXO®	29	* R0758500	ELECTRODE TRI 18 & TRI EXPERT 18 COMI
29	* R0758600	ELECTRODE TRI 22 & TRI EXPERT 22 COM	29	* R0758700	ELECTRODE TRI 35 & TRI EXPERT 35 COMI

CODE **WW000166, WW000167, WW000168, WW000169**DESCRIPTION: **EXO® / ES****OBSERVATIONS**

POS	CODE	OBSERVATIONS
29	* R0758400	POUR: WW000166
29	* R0758500	POUR: WW000167
29	* R0758600	POUR: WW000168
29	* R0758700	POUR: WW000169

CODE **WW000166, WW000167, WW000168, WW000169**

DESCRIPTION: **EXO® / ES**



**ENGLISH**

POS	CODE	DESCRIPTION	QUANTITY	POS	CODE	DESCRIPTION	QUANTITY
1	R0821100	WALL MOUNT KIT W/ SCREWS		16	W013010	COMPLETE DN50 MM SADDLE CLAMP (AD/	
2	R0821200	DEVICE POWER CORD		17	W013011	COMPLETE DN63 MM SADDLE CLAMP (AD/	
3	R0821600	CABLE GLAND KIT		18	R0797200	3/4"X1/2" ADAPTER FOR FLOW SWITCH	
4	R0821700	POWER SUPPLY ELECTRONIC CARD EXO		19	R0740800	TRI CELL PROTECTIVE CAP	
5	R0822300	HMI WI-FI CONTROL CARD		20	R0740600	ELECTRODE TIGHTENING RING	
6	R0822500	CELL CABLE		21	R0739000	ELECTRODE O-RING (X2)	
7	R0822600	EXO® WHITE HALF COVER		22	R0740200	EMPTY CELL BODY	
8	R0823000	SOFT GROMMET		23	R0737700	BARREL UNION ORING (X2)	
9	R0823100	HMI CONTROL CARD CABLE		24	R0748700	BARREL UNION SET FOR TRI DN63 MM / 2"	
10	R0823400	EXO® WHITE HOUSING		25	R0768600	PVC DN50 MM ADAPTER TO GLUE	
11	R0823600	CHASSIS O-RING		26	R0770300	PVC 1 1/2" ADAPTER TO GLUE (UK)	
12	R0823800	FLOW SWITCH WITH CONNECTOR		27	R0516700	SCREWS 4*12 MM (X5)	
13	R0823900	TEMPERATURE SENSOR KIT (WITH 2,9 M		28	R0564500	SCREWS 2,2*6,5 MM (X5)	

\* SEE OBSERVATIONS SHEET

CODE **WW000166, WW000167, WW000168, WW000169**DESCRIPTION: **EXO® / ES**

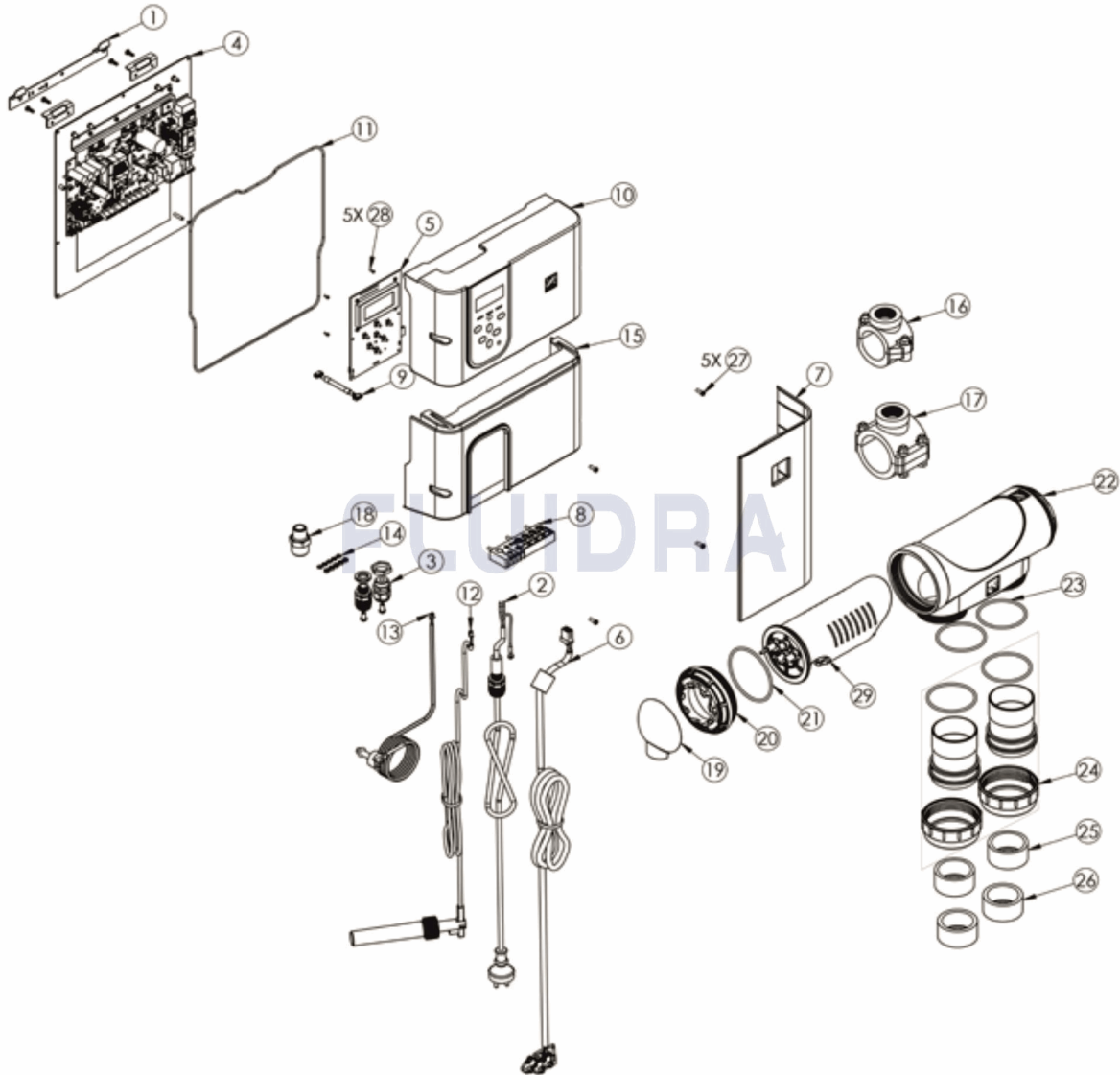
14	R0824000	GROUND CONNECTION KIT (X5)	29	* R0758400	COMPLETE TRI 10 ELECTRODE
15	R0824200	EXO® IQ / EXO® IQ LS GREY LOWER HOU	29	* R0758500	COMPLETE TRI 18 ELECTRODE
29	* R0758600	COMPLETE TRI 22 ELECTRODE	29	* R0758700	COMPLETE TRI 35 ELECTRODE



CODE **WW000166, WW000167, WW000168, WW000169**DESCRIPTION: **EXO® / ES****OBSERVATIONS**

POS	CODE	OBSERVATIONS
29	* R0758400	FOR: WW000166
29	* R0758500	FOR: WW000167
29	* R0758600	FOR: WW000168
29	* R0758700	FOR: WW000169

CODICE **WW000166, WW000167, WW000168, WW000169**

 DESCRIZIONE: **EXO® / ES**

**ITALIANO**

POS	CODICE	DESCRIZIONE	QUANTITA'	POS	CODICE	DESCRIZIONE	QUANTITA'
1	R0821100	MOUNTING BRACKET TNG		16	W013010	COLLARE PRESA IN CARICO DN50MM	
2	R0821200	POWER CABLE TNG		17	W013011	COLLARE PRESA IN CARICO DN63MM	
3	R0821600	CABLE GLAND TNG		18	R0797200	CONNECTOR 3/4" X 1/2" FOR SIKA	
4	R0821700	PCB POWER SUPPLY TNG		19	R0740800	CAP TRI CELL	
5	R0822300	PCB CONTROL WIFI TNG		20	R0740600	LOCKING RING TRI CELL	
6	R0822500	CABLE CELL OUTPUT TNG		21	R0739000	O RING TRI CELL *2	
7	R0822600	EXO® MEZZA COPERTURA BIANCA		22	R0740200	CELL HOUSING BLANK TRI	
8	R0823000	CORD GRIP GROMMET TNG		23	R0737700	TRI BARREL UNION O RING *2	
9	R0823100	CABLE HMI CONTROL CARD TNG		24	R0748700	UNION SET TRI CELL EU	
10	R0823400	CUSTODIA EXO® BIANCA		25	R0768600	GREY REDUCING BUSH (GD) (SET OF 2)	
11	R0823600	O RING TNG		26	R0770300	REDUCING BUSH WHITE	
12	R0823800	FLOW SWITCH ASSEMBLY TNG		27	R0516700	VITE 4*12 MM (*5)	
13	R0823900	TEMPERATURE SENSOR TNG		28	R0564500	VITE 2.2*6,5 MM (*5)	

\* SI FACCIA RIFERIMENTO AL FOGLIO DELLE OSSERVAZIONI

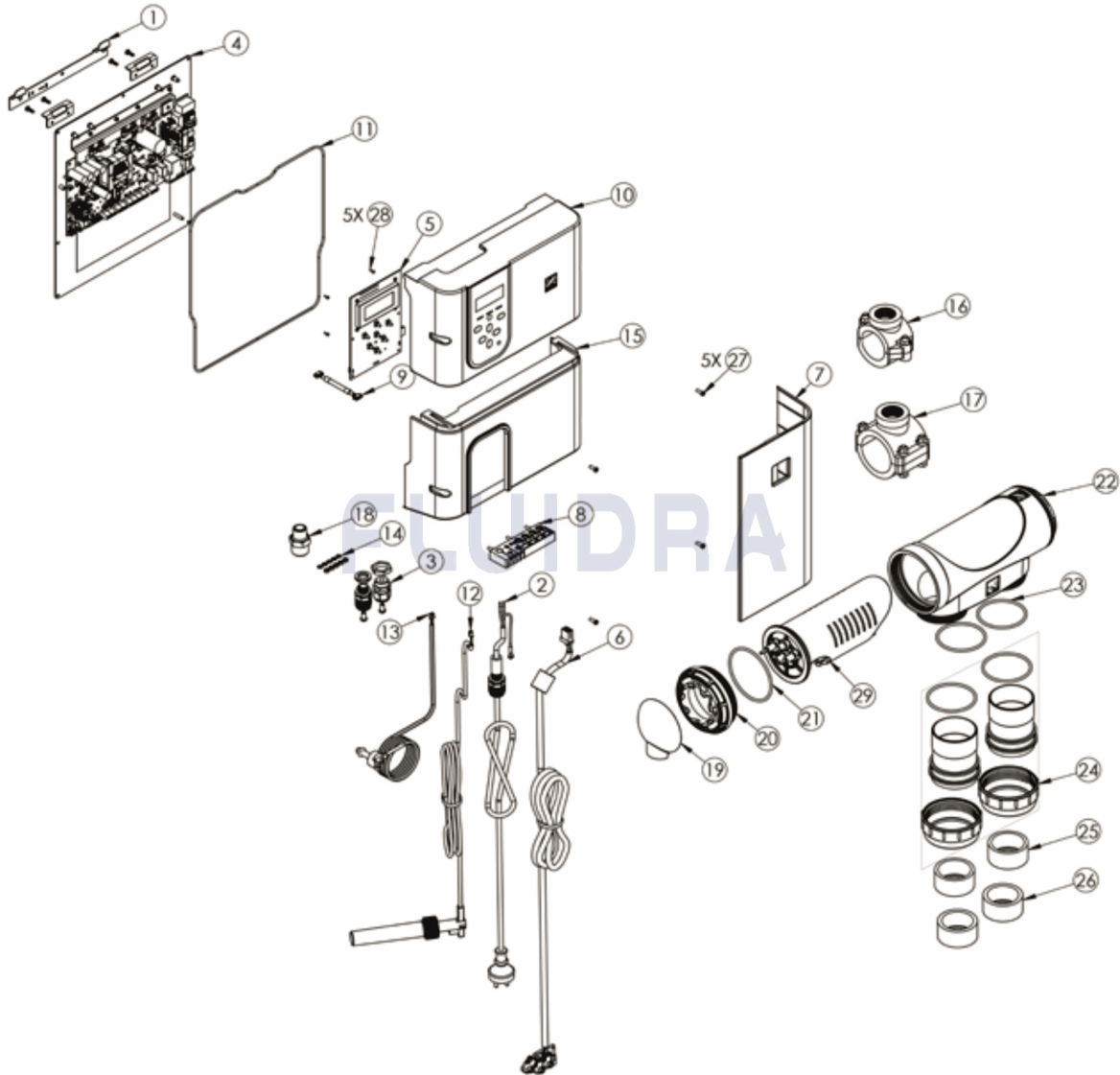
CODICE **WW000166, WW000167, WW000168, WW000169**DESCRIZIONE: **EXO® / ES**

14	R0824000	GROUND CONNECTION X 5 TNG	29	* R0758400	ELECTRODE TRI 10 EU
15	R0824200	LOWER HOUSG-BLACK STICKER TNG	29	* R0758500	ELECTRODE TRI 17 EU
29	* R0758600	ELECTRODE TRI 22 EU	29	* R0758700	ELECTRODE TRI 35 EU

CODICE **WW000166, WW000167, WW000168, WW000169**DESCRIZIONE: **EXO® / ES****OSSERVAZIONI**

POS	CODICE	OSSERVAZIONI
29	* R0758400	PER: WW000166
29	* R0758500	PER: WW000167
29	* R0758600	PER: WW000168
29	* R0758700	PER: WW000169

CODE **WW000166, WW000167, WW000168, WW000169**

 BESCHREIBUNG: **EXO® / ES**

**DEUTSCH**

POS	CODE	BESCHREIBUNG	MENGE	POS	CODE	BESCHREIBUNG	MENGE
1	R0821100	MOUNTING BRACKET TNG		16	W013010	ANBOHRSCHELLE F. 50ER ROHR	
2	R0821200	POWER CABLE TNG		17	W013011	ANBOHRSCHELLE Ø 63 MM KOMPLETT	
3	R0821600	CABLE GLAND TNG		18	R0797200	ADAPTER F. PADDELSCHALTER	
4	R0821700	PCB POWER SUPPLY TNG		19	R0740800	CAP TRI CELL	
5	R0822300	PCB CONTROL WIFI TNG		20	R0740600	VERSCHLUßKAPPE F. ZELLE	
6	R0822500	CABLE CELL OUTPUT TNG		21	R0739000	O RING TRI CELL *2	
7	R0822600	EXO® WEISSE HALBABDECKUNG		22	R0740200	CELL HOUSING BLANK TRI	
8	R0823000	CORD GRIP GROMMET TNG		23	R0737700	O-RING F. TRI/HYDROXINATOR	
9	R0823100	CABLE HMI CONTROL CARD TNG		24	R0748700	UNION SET TRI CELL EU	
10	R0823400	EXO® WEISSES GEHÄUSE		25	R0768600	GREY REDUCING BUSH (GD) (SET OF 2)	
11	R0823600	O RING TNG		26	R0770300	PVC ADAPTER 1 1/2	
12	R0823800	FLOW SWITCH ASSEMBLY TNG		27	R0516700	SCHRAUBE 4 * 12 MM (SET mit 5 Stk.)	
13	R0823900	TEMPERATURE SENSOR TNG		28	R0564500	SCHRAUBE 2,2 * 6,5 MM (SET mit 5 Stk.)	

\* SIEHE ANMERKUNGSBLATT

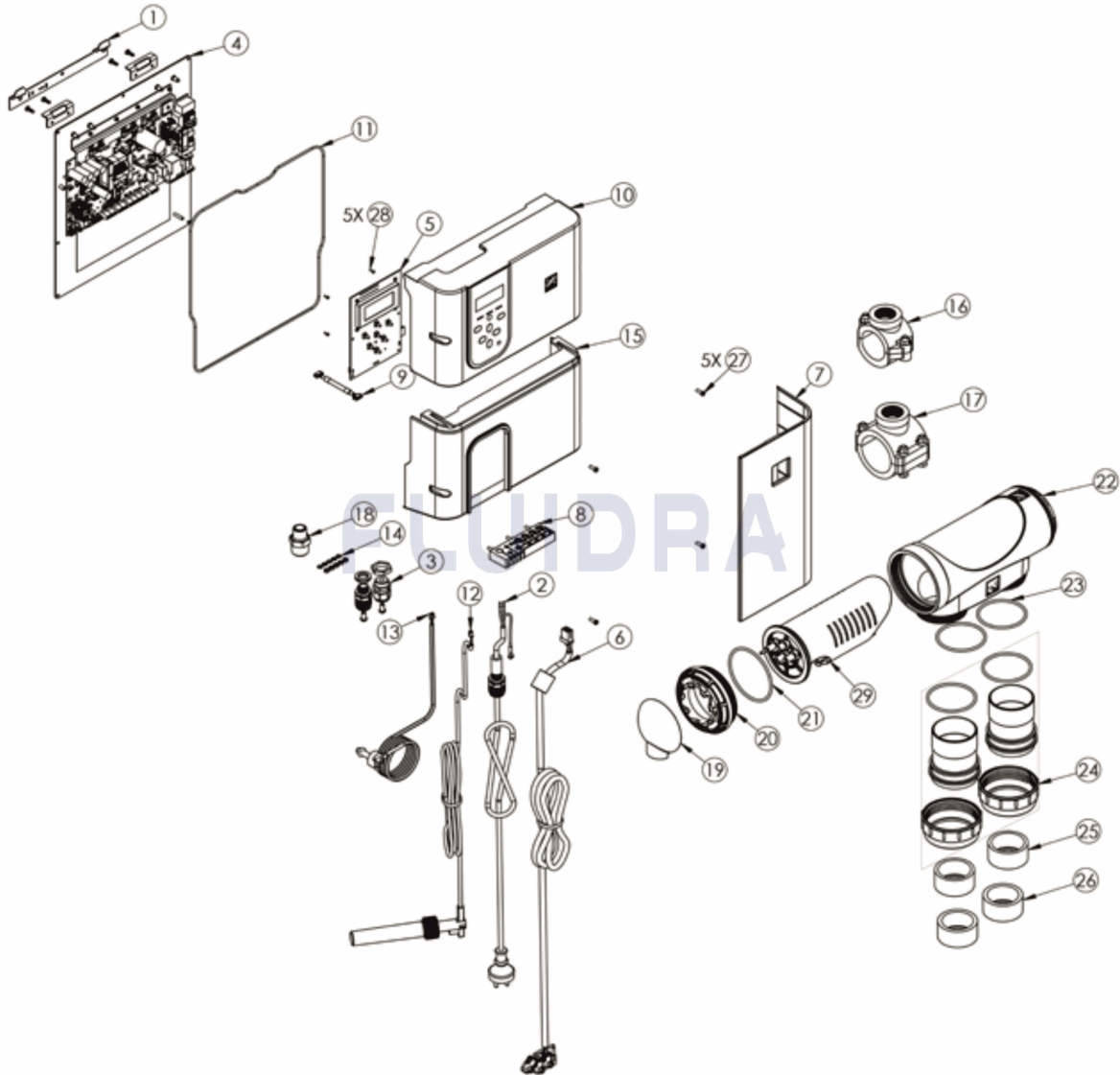
CODE **WW000166, WW000167, WW000168, WW000169**BESCHREIBUNG: **EXO® / ES**

14	R0824000	GROUND CONNECTION X 5 TNG	29	* R0758400	ELEKTROLYSE-ZELLE F. TRI 10
15	R0824200	LOWER HOUSG-BLACK STICKER TNG	29	* R0758500	ELEKTROLYSE-ZELLE F. TRI 18
29	* R0758600	ELEKTROLYSE-ZELLE F. TRI 22	29	* R0758700	ELEKTROLYSE-ZELLE F. TRI 35

CODE **WW000166, WW000167, WW000168, WW000169**BESCHREIBUNG: **EXO® / ES****HINWEISE**

POS	CODE	HINWEISE
29	* R0758400	FÜR: WW000166
29	* R0758500	FÜR: WW000167
29	* R0758600	FÜR: WW000168
29	* R0758700	FÜR: WW000169

CODIGO **WW000166, WW000167, WW000168, WW000169**

 DESCRIÇÃO: **EXO® / ES**


### PORTUGUES

POS	CODIGO	DESCRIÇÃO	JANTIDADE	POS	CODIGO	DESCRIÇÃO	JANTIDADE
1	R0821100	MOUNTING BRACKET TNG		16	W013010	BRAÇADEIRA DM 50 M	
2	R0821200	POWER CABLE TNG		17	W013011	BRAÇADEIRA DM 63 M	
3	R0821600	CABLE GLAND TNG		18	R0797200	ADAPTADOR 1/2"-3/4" DET CAUDAL	
4	R0821700	PCB POWER SUPPLY TNG		19	R0740800	CAP TRI CELL	
5	R0822300	PCB CONTROL WIFI TNG		20	R0740600	ROSCA FIXACAO CELULA TRI	
6	R0822500	CABLE CELL OUTPUT TNG		21	R0739000	O-RING TRI *2	
7	R0822600	EXO® WHITE HALF COVER		22	R0740200	CORPO CELULA VAZIA TRI	
8	R0823000	CORD GRIP GROMMET TNG		23	R0737700	TRI BARREL UNION O RING *2	
9	R0823100	CABLE HMI CONTROL CARD TNG		24	R0748700	UNION SET TRI CELL EU	
10	R0823400	EXO® WHITE HOUSING		25	R0768600	GREY REDUCING BUSH (GD) (SET OF 2)	
11	R0823600	O RING TNG		26	R0770300	REDUCING BUSH WHITE	
12	R0823800	FLOW SWITCH ASSEMBLY TNG		27	R0516700	PARAFUSO 4*12 MM (Pack 5 UN)	
13	R0823900	TEMPERATURE SENSOR TNG		28	R0564500	PARAFUSO 2.2*6,5mm (Pack 5 UN)	



CODIGO **WW000166, WW000167, WW000168, WW000169**DESCRIÇÃO: **EXO® / ES**

14	R0824000	GROUND CONNECTION X 5 TNG	29	* R0758400	CELULA TRI 10
15	R0824200	LOWER HOUSG-BLACK STICKER TNG	29	* R0758500	CELULA TRI 18
29	* R0758600	CELULA TRI 22	29	* R0758700	CELULA TRI 35

CODIGO **WW000166, WW000167, WW000168, WW000169**DESCRIÇÃO: **EXO® / ES****OBSERVAÇÕES**

POS	CODIGO	OBSERVAÇÕES
29	* R0758400	PARA: WW000166
29	* R0758500	PARA: WW000167
29	* R0758600	PARA: WW000168
29	* R0758700	PARA: WW000169