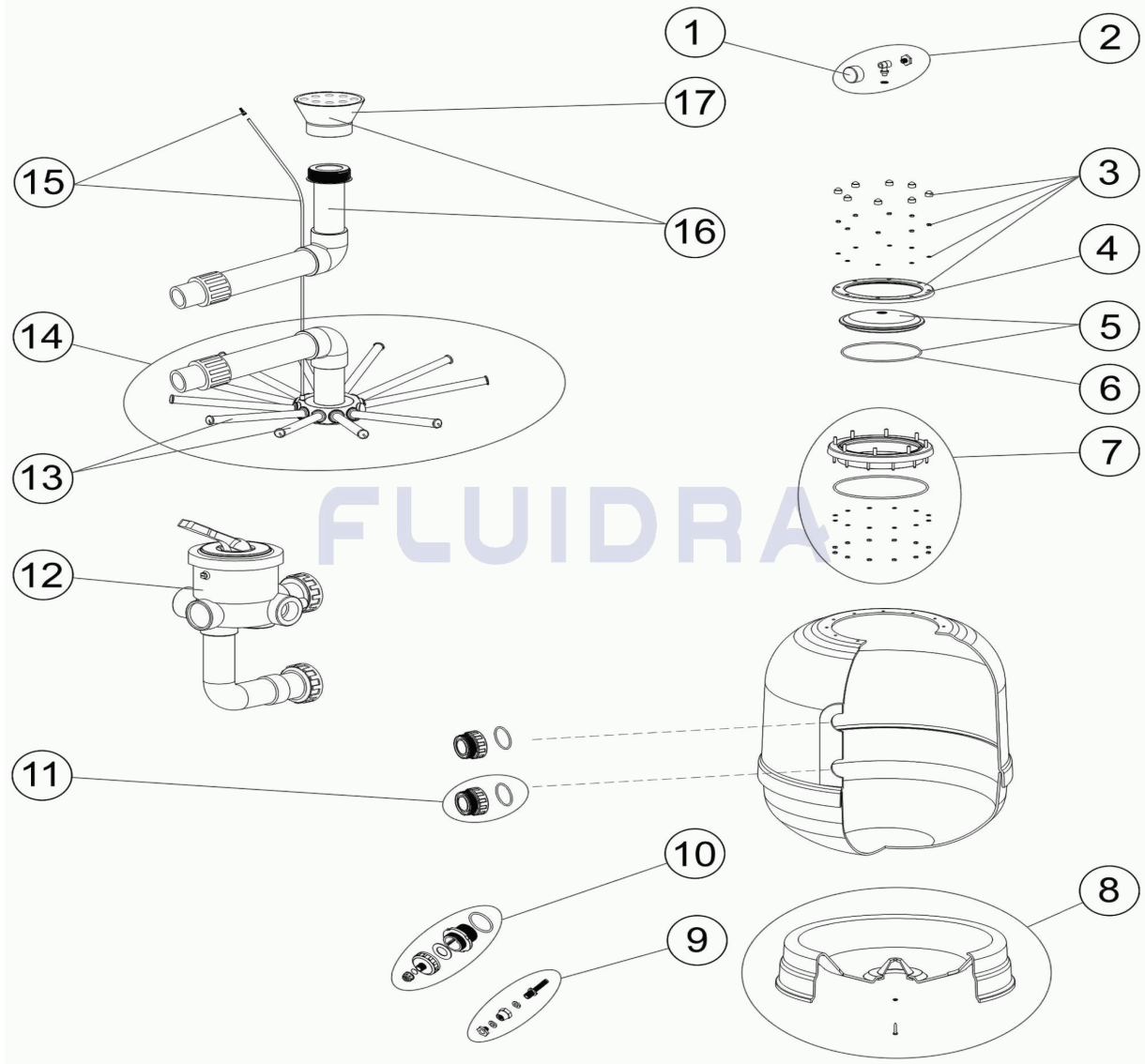


CODIGO **WF000094, WF000095, WF000096, WF000097, WF000098**

DESCRIPCION: **FILTROS MS D.470-530-650-800-950**



ESPAÑOL

POS	CODIGO	DESCRIPCION	CANTIDAD	POS	CODIGO	DESCRIPCION	CANTIDAD
1	R0831200	MANOMETRO 1/8" 3 KG/C "		11	* R0832600	RACORD SALIDA 2" + JUNTA TORIC "	
2	R0831100	MANOMETRO COMPLETO		11	* R0832500	RACOR SALIDA 1 1/2" + JUNTA TORICA	
3	R0831300	ARO FIJACION TAPA		12	* 09758	VALVULA SELECTORA 1 1/2" NEUTR "	
4	R0831600	ARO FIJACION TAPA		12	* 14904	VALVULA SELECTORA 2"	
5	R0831500	TAPA TRANSPARENTE D. 220 + JUNTA		13	* R0835200	CJTO. BRAZOS COLECTOR D. 400	
5	R0842400	TAPA FILTRO D. 220 NEGRA		13	* R0835300	CJTO. BRAZOS COLECTOR	
6	R0831400	JUNTA ARO FIJACION VALVULA		13	* R0835400	CJTO. BRAZOS COLECTOR D. 650	
7	R0831700	ARO CUELLO 20 TORNILLOS		13	* R0835500	CJTO. BRAZOS COLECTOR D. 750	
8	* R0831900	PIE FILTRO D. 450		14	* R0832900	CJTO. COLECTOR D. 450	
8	* R0831800	PIE FILTRO D.500		14	* R0833000	CJTO. COLECTOR D. 500	
8	* R0832000	PIE FILTRO D. 600		14	* R0833100	CJTO. COLECTOR D. 650	
8	* R0832100	PIE FILTRO D. 800		14	* R0833200	CJTO. COLECTOR D. 750	
8	* R0832200	PIE FILTRO D 950		14	* R0833300	CJTO. COLECTOR D. 900	

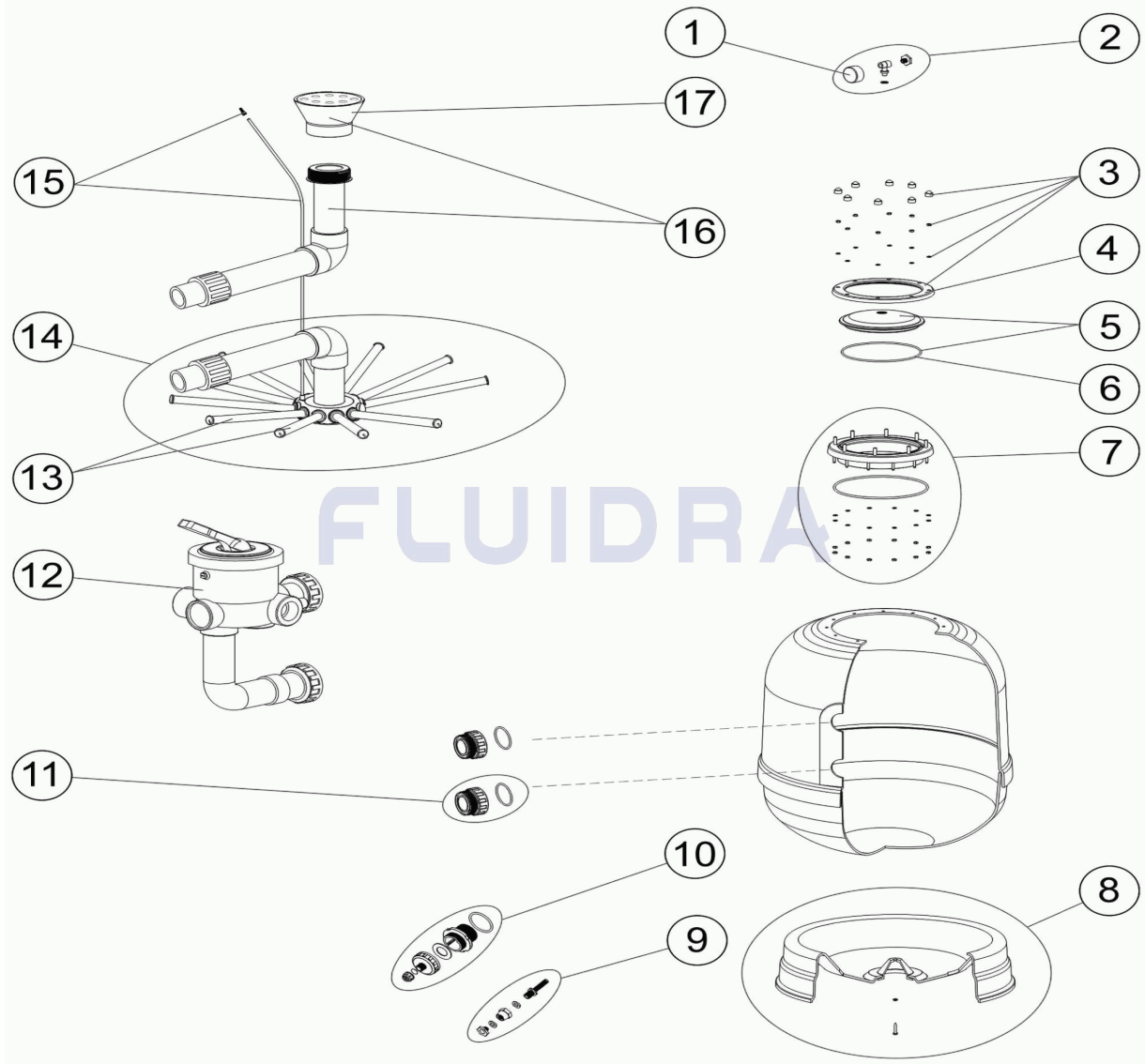
CODIGO **WF000094, WF000095, WF000096, WF000097, WF000098**DESCRIPCION: **FILTROS MS D.470-530-650-800-950**

9	R0832300	PURGA AGUA 3/8"	15	* R0835600	PURGA AIRE + TUBO L=670
10	R0832400	CJTO. PURGA AGUA 2 1/2"	15	* R0835700	TUBO RIGIDO L-845
16	* R0833900	CJTO. DIFUSOR D. 450	16	* R0834300	CJTO. DIFUSOR D. 900
16	* R0834000	CJTO. DIFUSOR D. 500	17	* R0833700	PIÑA DIFUSORA 1 1/2"
16	* R0834100	CJTO. DIFUSOR D. 650	17	* R0833800	PIÑA DIFUSORA 2" - 2 1/2"
16	* R0834200	CJTO. DIFUSOR D. 750			

CODIGO **WF000094, WF000095, WF000096, WF000097, WF000098**DESCRIPCION: **FILTROS MS D.470-530-650-800-950****OBSERVACIONES**

POS	CODIGO	OBSERVACIONES
8	* R0831900	PARA: WF000094
8	* R0831800	PARA: WF000095
8	* R0832000	PARA: WF000096
8	* R0832100	PARA: WF000097
8	* R0832200	PARA: WF000098
11	* R0832600	PARA: WF000097, WF000098
11	* R0832500	PARA: WF000094, WF000095, WF000096
12	* 09758	PARA: WF000094, WF000095, WF000096
12	* 14904	PARA: WF000097, WF000098
13	* R0835200	PARA: WF000094, WF000095
13	* R0835300	PARA: WF000096
13	* R0835400	PARA: WF000097
13	* R0835500	PARA: WF000098
14	* R0832900	PARA: WF000094
14	* R0833000	PARA: WF000095
14	* R0833100	PARA: WF000096
14	* R0833200	PARA: WF000097
14	* R0833300	PARA: WF000098
15	* R0835600	PARA: WF000094, WF000095, WF000096, WF000097
15	* R0835700	PARA: WF000098
16	* R0833900	PARA: WF000094
16	* R0834000	PARA: WF000095
16	* R0834100	PARA: WF000096
16	* R0834200	PARA: WF000097
16	* R0834300	PARA: WF000098
17	* R0833700	PARA: WF000094, WF000095, WF000096
17	* R0833800	PARA: WF000097, WF000098

CODE **WF000094, WF000095, WF000096, WF000097, WF000098**

 DESCRIPTION: **FILTRES MS D.470-530-650-800-950**

FRANCAIS

POS	CODE	DESCRIPTION	QUANTITE	POS	CODE	DESCRIPTION	QUANTITE
1	R0831200	MANOMETRE 1/8" 3 KG./C "		11	* R0832600	RACCOR SORTIE 2" + JOINT TORIQU "	
2	R0831100	MANOMETRE COMPLET		11	* R0832500	RACCOR SORTIE 1 1/2" + JOINT TORIQUE	
3	R0831300	BRIDE DE FIXATION COUVERCLE		12	* 09758	SÉLECTEUR 1 1/2" NEUTR "	
4	R0831600	BRIDE DE FIXATION COUVERCLE		12	* 14904	SÉLECTEUR 2"	
5	R0831500	COUVERCLE TRANSPARENT D.220 + JOIN'		13	* R0835200	ENSEMBLE BRAS DE REPARTITEUR D. 400	
5	R0842400	COUVERCLE FILTRE D. 220 NOIR		13	* R0835300	ENSEMBLE BRAS DE REPARTITEUR	
6	R0831400	JOINT BRIDE FIXATION VANNE TOP		13	* R0835400	ENSEMBLE BRAS DE REPARTITEUR D. 650	
7	R0831700	BRIDE GORGE 20 VIS		13	* R0835500	ENSEMBLE BRAS DE REPARTITEUR D. 750	
8	* R0831900	SOCLE FILTRE D. 450		14	* R0832900	ENSEMBLE COLLECTEUR D. 450	
8	* R0831800	SOCLE FILTRE D. 500		14	* R0833000	ENSEMBLE COLLECTEUR D. 500	
8	* R0832000	SOCLE FILTRE D 600		14	* R0833100	ENSEMBLE COLLECTEUR D. 650	
8	* R0832100	SOCLE FILTRE D. 800		14	* R0833200	ENSEMBLE COLLECTEUR D. 750	
8	* R0832200	SOCLE FILTRE D 950		14	* R0833300	ENSEMBLE COLLECTEUR D. 900	

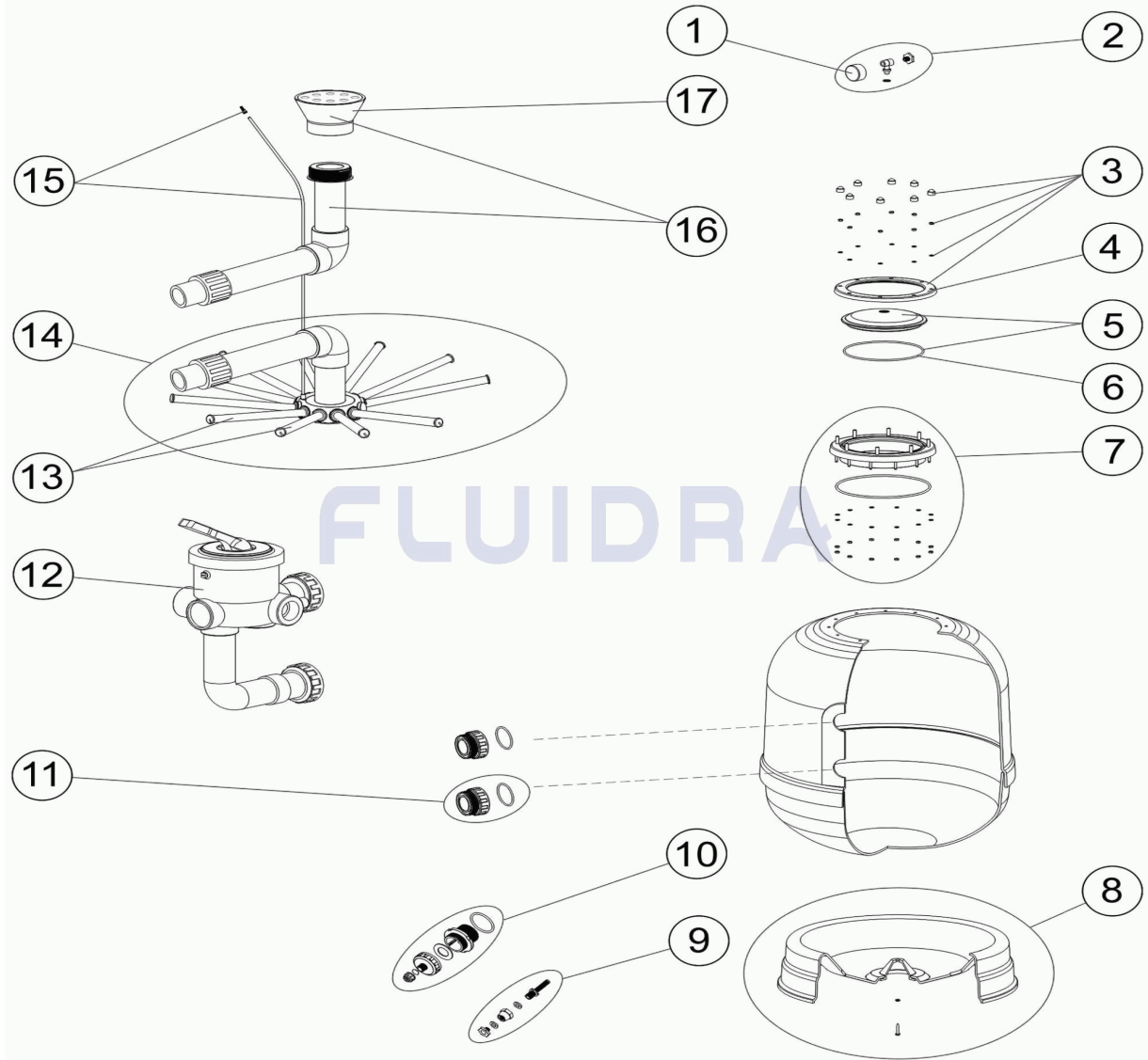
CODE **WF000094, WF000095, WF000096, WF000097, WF000098**DESCRIPTION: **FILTRES MS D.470-530-650-800-950**

9	R0832300	PURGE D'EAU 3/8"	15	* R0835600	PURGE AIR + TUBE L=670
10	R0832400	ENSEMBLE PURGE 2 1/2"	15	* R0835700	TUBE RIGIDE L-845
16	* R0833900	ENSEMBLE DIFFUSEUR D. 450	16	* R0834300	ENSEMBLE DIFFUSEUR D. 900
16	* R0834000	ENSEMBLE DIFFUSEUR D. 500	17	* R0833700	POMME DIFFUSEUSE 1 1/2"
16	* R0834100	ENSEMBLE DIFFUSEUR D. 650	17	* R0833800	POMME DIFFUSEUSE 2"
16	* R0834200	ENSEMBLE DIFFUSEUR D. 750			

CODE **WF000094, WF000095, WF000096, WF000097, WF000098**DESCRIPTION: **FILTRES MS D.470-530-650-800-950****OBSERVATIONS**

POS	CODE	OBSERVATIONS
8	* R0831900	POUR: WF000094
8	* R0831800	POUR: WF000095
8	* R0832000	POUR: WF000096
8	* R0832100	POUR: WF000097
8	* R0832200	POUR: WF000098
11	* R0832600	POUR: WF000097, WF000098
11	* R0832500	POUR: WF000094, WF000095, WF000096
12	* 09758	POUR: WF000094, WF000095, WF000096
12	* 14904	POUR: WF000097, WF000098
13	* R0835200	POUR: WF000094, WF000095
13	* R0835300	POUR: WF000096
13	* R0835400	POUR: WF000097
13	* R0835500	POUR: WF000098
14	* R0832900	POUR: WF000094
14	* R0833000	POUR: WF000095
14	* R0833100	POUR: WF000096
14	* R0833200	POUR: WF000097
14	* R0833300	POUR: WF000098
15	* R0835600	POUR: WF000094, WF000095, WF000096, WF000097
15	* R0835700	POUR: WF000098
16	* R0833900	POUR: WF000094
16	* R0834000	POUR: WF000095
16	* R0834100	POUR: WF000096
16	* R0834200	POUR: WF000097
16	* R0834300	POUR: WF000098
17	* R0833700	POUR: WF000094, WF000095, WF000096
17	* R0833800	POUR: WF000097, WF000098

CODE **WF000094, WF000095, WF000096, WF000097, WF000098**

 DESCRIPTION: **MS FILTERS D.470-530-650-800-950**

ENGLISH

POS	CODE	DESCRIPTION	QUANTITY	POS	CODE	DESCRIPTION	QUANTITY
1	R0831200	PRESSURE GAUGE 1/8" 3 KG./C "		11	* R0832600	2" OUTLET FITTING + O'RIN "	
2	R0831100	COMPLETE PRESSURE GAUGE UNIT		11	* R0832500	OUTLET UNION 1 1/2" + O-RING	
3	R0831300	LIF FIXING RING		12	* 09758	NEUTRAL MULTIPORT VALVE 1 1/2"	
4	R0831600	LID FIXING RING		12	* 14904	MULTIPORT VALVE 2"	
5	R0831500	TRANSPARENT LID D.220 + 'O' RING		13	* R0835200	MANIFOLD ARM ASSEMBLY D. 400	
5	R0842400	FILTER LID D. 220 BLACK		13	* R0835300	MANIFOLD ARM ASSEMBLY	
6	R0831400	VALVE TOP RING FIXING GASKET		13	* R0835400	MANIFOLD ARM ASSEMBLY D. 650	
7	R0831700	20-SCREW NECK RING		13	* R0835500	MANIFOLD ARM ASSEMBLY D. 750	
8	* R0831900	FILTER BASE D. 450		14	* R0832900	MANIFOLD ASSEMBLY D. 450	
8	* R0831800	FILTER BASE D. 500		14	* R0833000	MANIFOLD ASSEMBLY D. 500	
8	* R0832000	FILTER BASE D. 600		14	* R0833100	MANIFOLD ASSEMBLY D. 650	
8	* R0832100	FILTER BASE D. 800		14	* R0833200	MANIFOLD ASSEMBLY D. 750	
8	* R0832200	FILTER BASE D. 950		14	* R0833300	MANIFOLD ASSEMBLY D. 900	

CODE **WF000094, WF000095, WF000096, WF000097, WF000098**

DESCRIPTION: **MS FILTERS D.470-530-650-800-950**

9	R0832300	WATER PURGE 3/8"	15	* R0835600	AIR PURGE + PIPE L=670
10	R0832400	2 1/2" DRAIN SE "	15	* R0835700	RIGID PIPE L-845
16	* R0833900	DIFFUSER ASSEMBLY D. 450	16	* R0834300	DIFFUSER ASSEMBLY D. 900
16	* R0834000	DIFFUSER ASSEMBLY D. 500	17	* R0833700	DISTRIBUTOR 1 1/2"
16	* R0834100	DIFFUSER ASSEMBLY D. 650	17	* R0833800	DISTRIBUTOR 2"
16	* R0834200	DIFFUSER ASSEMBLY D. 750			

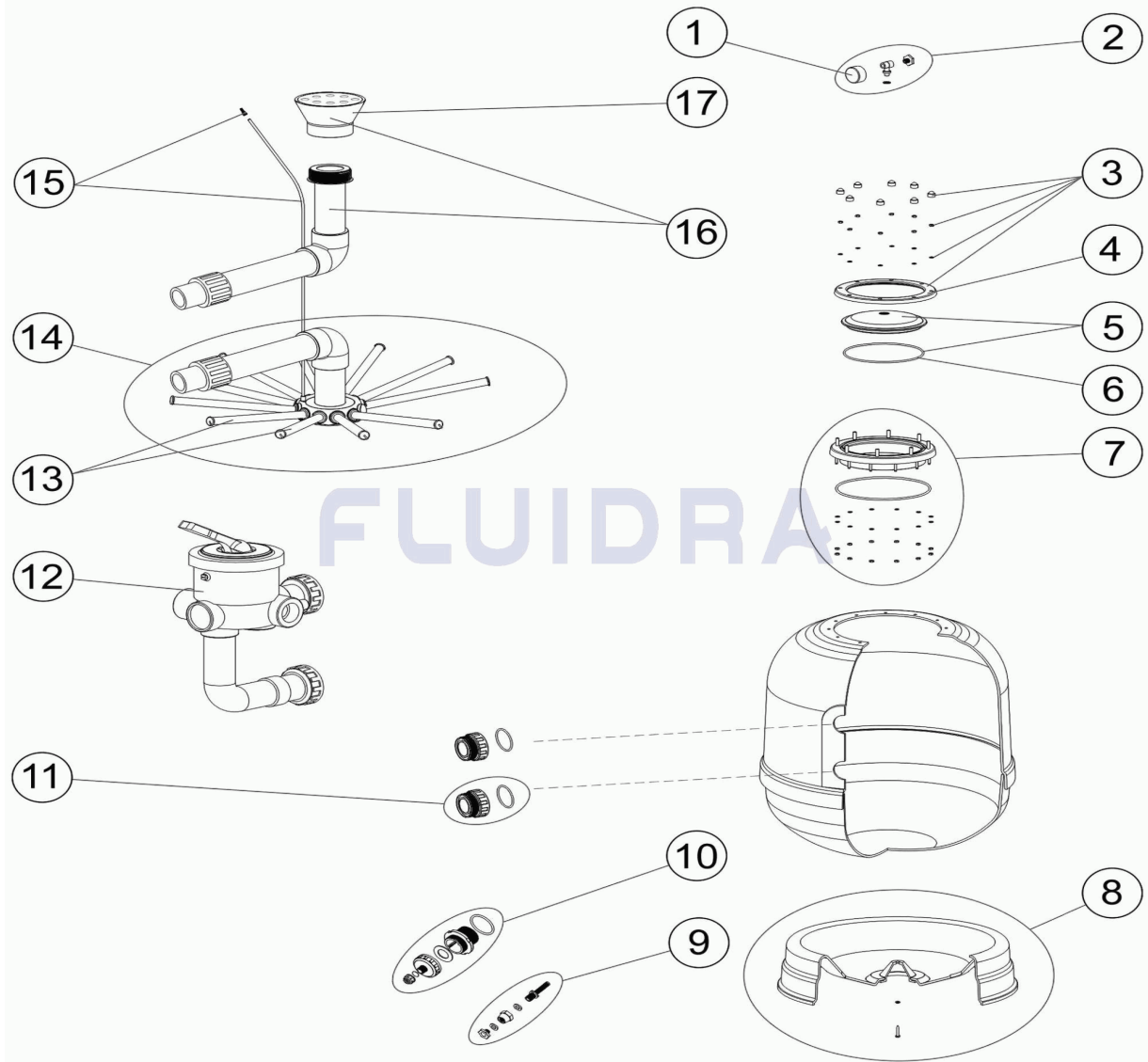
CODE **WF000094, WF000095, WF000096, WF000097, WF000098**

DESCRIPTION: **MS FILTERS D.470-530-650-800-950**

OBSERVATIONS

POS	CODE	OBSERVATIONS
8	* R0831900	FOR: WF000094
8	* R0831800	FOR: WF000095
8	* R0832000	FOR: WF000096
8	* R0832100	FOR: WF000097
8	* R0832200	FOR: WF000098
11	* R0832600	FOR: WF000097, WF000098
11	* R0832500	FOR: WF000094, WF000095, WF000096
12	* 09758	FOR: WF000094, WF000095, WF000096
12	* 14904	FOR: WF000097, WF000098
13	* R0835200	FOR: WF000094, WF000095
13	* R0835300	FOR: WF000096
13	* R0835400	FOR: WF000097
13	* R0835500	FOR: WF000098
14	* R0832900	FOR: WF000094
14	* R0833000	FOR: WF000095
14	* R0833100	FOR: WF000096
14	* R0833200	FOR: WF000097
14	* R0833300	FOR: WF000098
15	* R0835600	FOR: WF000094, WF000095, WF000096, WF000097
15	* R0835700	FOR: WF000098
16	* R0833900	FOR: WF000094
16	* R0834000	FOR: WF000095
16	* R0834100	FOR: WF000096
16	* R0834200	FOR: WF000097
16	* R0834300	FOR: WF000098
17	* R0833700	FOR: WF000094, WF000095, WF000096
17	* R0833800	FOR: WF000097, WF000098

CODICE **WF000094, WF000095, WF000096, WF000097, WF000098**

 DESCRIZIONE: **FILTRI MS D.470-530-650-800-950**

ITALIANO

POS	CODICE	DESCRIZIONE	QUANTITA'	POS	CODICE	DESCRIZIONE	QUANTITA'
1	R0831200	MANOMETRO 1/8" 3 KG./C "		11	* R0832600	RACCORDO USCITA 2" + O-RING	
2	R0831100	MANOMETRO COMPLETO		11	* R0832500	RACCORDO USCITA 1 1/2" + O-RING	
3	R0831300	FLANGIA FISSAGGIO COPERCHIO		12	* 09758	VALVOLA SELETTTRICE 1 1/2" NEUTR "	
4	R0831600	FLANGIA FISSAGGIO COPERCHIO		12	* 14904	VALVOLA SELETTTRICE 2"	
5	R0831500	COPERCHIO TRASPARENTE D.220 + O-R		13	* R0835200	GRUPPO CANDELOTTO COLLECTORE D. 4	
5	R0842400	COPERCHIO FILTRO D. 220 NERO		13	* R0835300	GRUPPO CANDELOTTO COLLECTORE	
6	R0831400	GUARNIZIONE FLANGIA FISSAGGIO VALVOL		13	* R0835400	GRUPPO CANDELOTTO COLLECTORE D. 6	
7	R0831700	ANELLO COLLO 20 VITI		13	* R0835500	GRUPPO CANDELOTTO COLLECTORE D. 7	
8	* R0831900	BASE FILTRO D. 450		14	* R0832900	KIT COLLETTORE D. 450	
8	* R0831800	BASE FILTRO D. 500		14	* R0833000	KIT COLLETTORE D. 500	
8	* R0832000	BASE FILTRO D 600		14	* R0833100	KIT COLLETTORE D. 650	
8	* R0832100	BASE FILTRO D. 800		14	* R0833200	KIT COLLETTORE D. 750	
8	* R0832200	BASE FILTRO D 950		14	* R0833300	KIT COLLETTORE D. 900	

* SI FACCIÀ RIFERIMENTO AL FOGLIO DELLE OSSERVAZIONI

CODICE **WF000094, WF000095, WF000096, WF000097, WF000098**DESCRIZIONE: **FILTRI MS D.470-530-650-800-950**

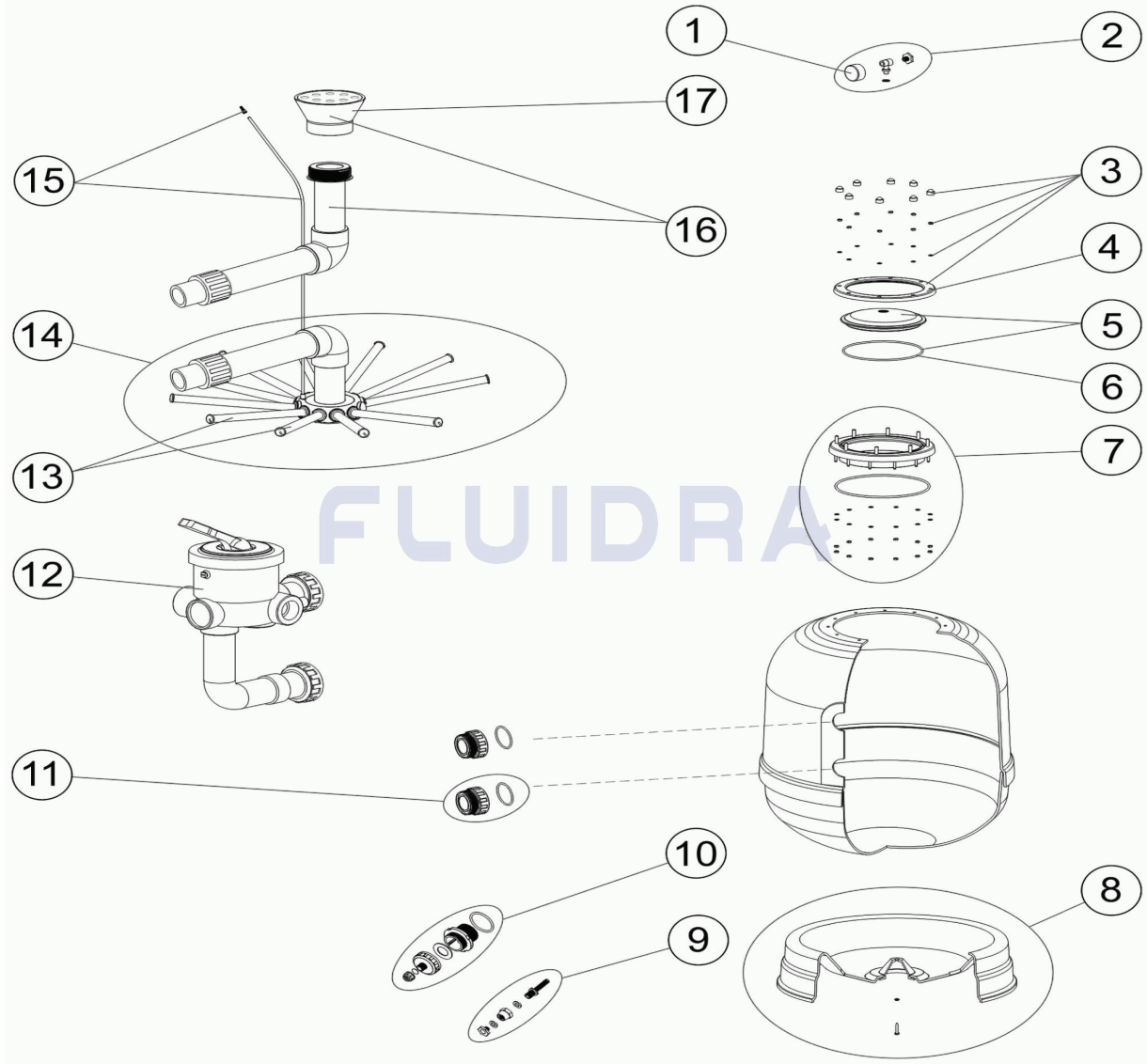
9	R0832300	SCARICO ACQUA 3/8"	15	* R0835600	SPURGO ARIA + TUBO L=670
10	R0832400	KIT SCARICO 2 1/2"	15	* R0835700	TUBO RIGIDO L-845
16	* R0833900	RACCORDO DIFFUSORE D. 450	16	* R0834300	RACCORDO DIFFUSORE D. 900
16	* R0834000	RACCORDO DIFFUSORE D. 500	17	* R0833700	DIFFUSORE 1 1/2"
16	* R0834100	RACCORDO DIFFUSORE D. 650	17	* R0833800	DIFFUSORE 2"
16	* R0834200	RACCORDO DIFFUSORE D. 750			

CODICE **WF000094, WF000095, WF000096, WF000097, WF000098**DESCRIZIONE: **FILTRI MS D.470-530-650-800-950****OSSERVAZIONI**

POS	CODICE	OSSERVAZIONI
8	* R0831900	PER: WF000094
8	* R0831800	PER: WF000095
8	* R0832000	PER: WF000096
8	* R0832100	PER: WF000097
8	* R0832200	PER: WF000098
11	* R0832600	PER: WF000097, WF000098
11	* R0832500	PER: WF000094, WF000095, WF000096
12	* 09758	PER: WF000094, WF000095, WF000096
12	* 14904	PER: WF000097, WF000098
13	* R0835200	PER: WF000094, WF000095
13	* R0835300	PER: WF000096
13	* R0835400	PER: WF000097
13	* R0835500	PER: WF000098
14	* R0832900	PER: WF000094
14	* R0833000	PER: WF000095
14	* R0833100	PER: WF000096
14	* R0833200	PER: WF000097
14	* R0833300	PER: WF000098
15	* R0835600	PER: WF000094, WF000095, WF000096, WF000097
15	* R0835700	PER: WF000098
16	* R0833900	PER: WF000094
16	* R0834000	PER: WF000095
16	* R0834100	PER: WF000096
16	* R0834200	PER: WF000097
16	* R0834300	PER: WF000098
17	* R0833700	PER: WF000094, WF000095, WF000096
17	* R0833800	PER: WF000097, WF000098

CODE **WF000094, WF000095, WF000096, WF000097, WF000098**

BESCHREIBUNG: **FILTER MS D.470-530-650-800-950**



DEUTSCH

POS	CODE	BESCHREIBUNG	MENGE	POS	CODE	BESCHREIBUNG	MENGE
1	R0831200	MANOMETER 1/8" 3 KG/C "		11	* R0832600	GEWINDESTÜCK AUSGANG 2" UND O-RIN '	
2	R0831100	MANOMETER KOMPLETT		11	* R0832500	GEWINDESTÜCK AUSGANG 2 1/2" UND O-RI	
3	R0831300	FIXIERRING ABDECKUNG		12	* 09758	MEHRWEGVENTIL 1 1/2" NEUTR "	
4	R0831600	FIXIERRING ABDECKUNG		12	* 14904	MEHRWEGVENTIL 2"	
5	R0831500	ABDECKUNG TRANSPARENT D. 220 UND [13	* R0835200	SET FILTERSTERN-SCHLITZROHR D. 400	
5	R0842400	FILTERDECKEL D. 220 SCHWARZ		13	* R0835300	SET FILTERSTERN-SCHLITZROHR	
6	R0831400	DICHTUNG FIXIERRING VENTIL		13	* R0835400	SET FILTERSTERN-SCHLITZROHR D. 650	
7	R0831700	FILTERRING 20 SCHRAUBEN		13	* R0835500	SET FILTERSTERN-SCHLITZROHR D. 750	
8	* R0831900	FILTERFUSS D. 450		14	* R0832900	SAMMELROHRSET D. 450	
8	* R0831800	FILTERFUSS D. 500		14	* R0833000	SAMMELROHRSET D. 500	
8	* R0832000	FILTERFUSS D. 600		14	* R0833100	SAMMELROHRSET D. 650	
8	* R0832100	FILTERFUSS D. 800		14	* R0833200	SAMMELROHRSET D. 750	
8	* R0832200	FILTERFUSS D. 950		14	* R0833300	SAMMELROHRSET D. 900	

* SIEHE ANMERKUGSBLATT

CODE **WF000094, WF000095, WF000096, WF000097, WF000098**BESCHREIBUNG: **FILTER MS D.470-530-650-800-950**

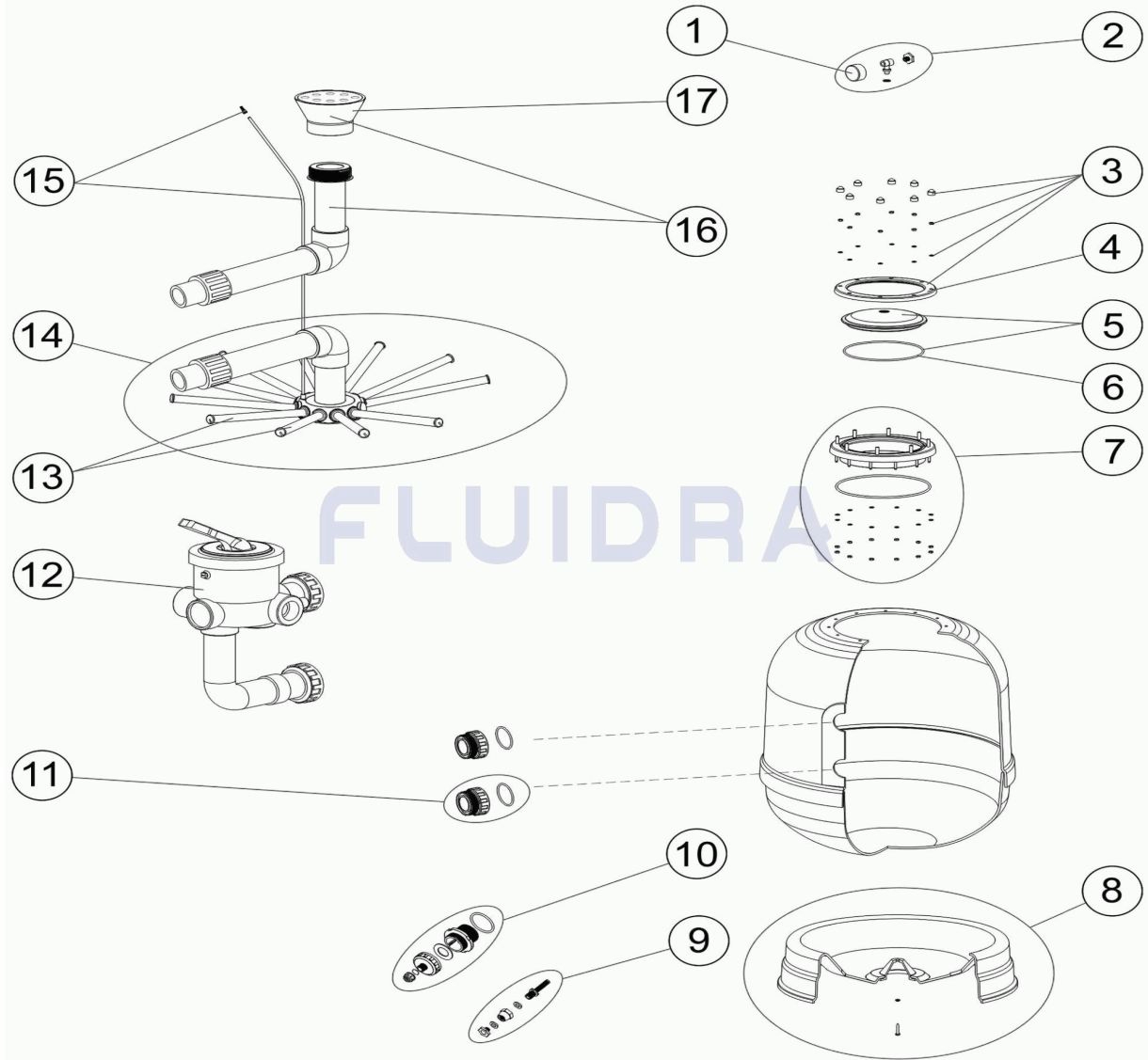
9	R0832300	WASSERABLAß 3/8"	15	* R0835600	ENTLÜFTUNG UND ROHR L=670
10	R0832400	SET WASSERABLAß 2 1/2"	15	* R0835700	ROHR HART L - 845
16	* R0833900	SET WASSERVERTEILER D. 450	16	* R0834300	SET WASSERVERTEILER D. 900
16	* R0834000	SET WASSERVERTEILER D. 500	17	* R0833700	KOPF WASSERVERTEILER 1 1/2"
16	* R0834100	SET WASSERVERTEILER D. 650	17	* R0833800	KOPF WASSERVERTEILER 2" - 2 1/2"
16	* R0834200	SET WASSERVERTEILER D. 750			

CODE **WF000094, WF000095, WF000096, WF000097, WF000098**BESCHREIBUNG: **FILTER MS D.470-530-650-800-950****HINWEISE**

POS	CODE	HINWEISE
8	* R0831900	FÜR: WF000094
8	* R0831800	FÜR: WF000095
8	* R0832000	FÜR: WF000096
8	* R0832100	FÜR: WF000097
8	* R0832200	FÜR: WF000098
11	* R0832600	FÜR: WF000097, WF000098
11	* R0832500	FÜR: WF000094, WF000095, WF000096
12	* 09758	FÜR: WF000094, WF000095, WF000096
12	* 14904	FÜR: WF000097, WF000098
13	* R0835200	FÜR: WF000094, WF000095
13	* R0835300	FÜR: WF000096
13	* R0835400	FÜR: WF000097
13	* R0835500	FÜR: WF000098
14	* R0832900	FÜR: WF000094
14	* R0833000	FÜR: WF000095
14	* R0833100	FÜR: WF000096
14	* R0833200	FÜR: WF000097
14	* R0833300	FÜR: WF000098
15	* R0835600	FÜR: WF000094, WF000095, WF000096, WF000097
15	* R0835700	FÜR: WF000098
16	* R0833900	FÜR: WF000094
16	* R0834000	FÜR: WF000095
16	* R0834100	FÜR: WF000096
16	* R0834200	FÜR: WF000097
16	* R0834300	FÜR: WF000098
17	* R0833700	FÜR: WF000094, WF000095, WF000096
17	* R0833800	FÜR: WF000097, WF000098

CODIGO **WF000094, WF000095, WF000096, WF000097, WF000098**

DESCRIÇÃO: **FILTROS MS D.470-530-650-800-950**



PORTUGUES

POS	CODIGO	DESCRIÇÃO	JANTIDADE	POS	CODIGO	DESCRIÇÃO	JANTIDADE
1	R0831200	MANOMETRO 1/8" 3 KG./C "		11	* R0832600	ACOPLADOR SAÍDA 2" + JUNTA TORIC "	
2	R0831100	MANÓMETRO COMPLETO		11	* R0832500	RACORD DE SAIDA 1 1/2" + JUNTA TÓRICA	
3	R0831300	ARO FIXAÇÃO TAMPA		12	* 09758	VÁLVULA SELECTORA 1 1/2" NEUTR "	
4	R0831600	ARO FIXAÇÃO TAMPA		12	* 14904	VÁLVULA SELECTORA 2"	
5	R0831500	TAMPA TRANSPARENTE D.220 + JUNTA		13	* R0835200	CJTO. BRAÇO COLECTOR D. 400	
5	R0842400	TAMPA FILTRO D.220 NEGRA		13	* R0835300	CJTO. BRAÇO COLECTOR	
6	R0831400	JUNTA ARO FIXAÇÃO VALVULA TOP		13	* R0835400	CJTO. BRAÇO COLECTOR D.650	
7	R0831700	ARO PESCOCOÇO 20 PARAFUSOS		13	* R0835500	CJTO. BRAÇO COLECTOR D. 750	
8	* R0831900	PÉ FILTRO D. 450		14	* R0832900	CJTO. COLECTOR D. 450	
8	* R0831800	PÉ FILTRO D. 500		14	* R0833000	CJTO. COLECTOR D. 500	
8	* R0832000	PÉ FILTRO D 600		14	* R0833100	CJTO. COLECTOR D. 650	
8	* R0832100	PÉ FILTRO D. 800		14	* R0833200	CJTO. COLECTOR D. 750	
8	* R0832200	PÉ FILTRO D 950		14	* R0833300	CJTO. COLECTOR D. 900	

* VEJA A FICHA DE OBSERVAÇÕES

CODIGO **WF000094, WF000095, WF000096, WF000097, WF000098**DESCRICAÇÃO: **FILTROS MS D.470-530-650-800-950**

9	R0832300	PURGA AGUA 3/8"	15	* R0835600	PURGA AR + TUBO L=670
10	R0832400	CONJUNTO PURDA AREIA 2 1/2"	15	* R0835700	TUBO RÍGIDO L-845
16	* R0833900	CJTO. DIFUSOR D. 450	16	* R0834300	CJTO. DIFUSOR D. 900
16	* R0834000	CJTO. DIFUSOR D. 500	17	* R0833700	DIFUSOR 1 1/2"
16	* R0834100	CJTO. DIFUSOR D. 650	17	* R0833800	DIFUSOR 2
16	* R0834200	CJTO. DIFUSOR D. 750			

CODIGO **WF000094, WF000095, WF000096, WF000097, WF000098**DESCRIÇÃO: **FILTROS MS D.470-530-650-800-950****OBSERVAÇÕES**

POS	CODIGO	OBSERVAÇÕES
8	* R0831900	PARA: WF000094
8	* R0831800	PARA: WF000095
8	* R0832000	PARA: WF000096
8	* R0832100	PARA: WF000097
8	* R0832200	PARA: WF000098
11	* R0832600	PARA: WF000097, WF000098
11	* R0832500	PARA: WF000094, WF000095, WF000096
12	* 09758	PARA: WF000094, WF000095, WF000096
12	* 14904	PARA: WF000097, WF000098
13	* R0835200	PARA: WF000094, WF000095
13	* R0835300	PARA: WF000096
13	* R0835400	PARA: WF000097
13	* R0835500	PARA: WF000098
14	* R0832900	PARA: WF000094
14	* R0833000	PARA: WF000095
14	* R0833100	PARA: WF000096
14	* R0833200	PARA: WF000097
14	* R0833300	PARA: WF000098
15	* R0835600	PARA: WF000094, WF000095, WF000096, WF000097
15	* R0835700	PARA: WF000098
16	* R0833900	PARA: WF000094
16	* R0834000	PARA: WF000095
16	* R0834100	PARA: WF000096
16	* R0834200	PARA: WF000097
16	* R0834300	PARA: WF000098
17	* R0833700	PARA: WF000094, WF000095, WF000096
17	* R0833800	PARA: WF000097, WF000098