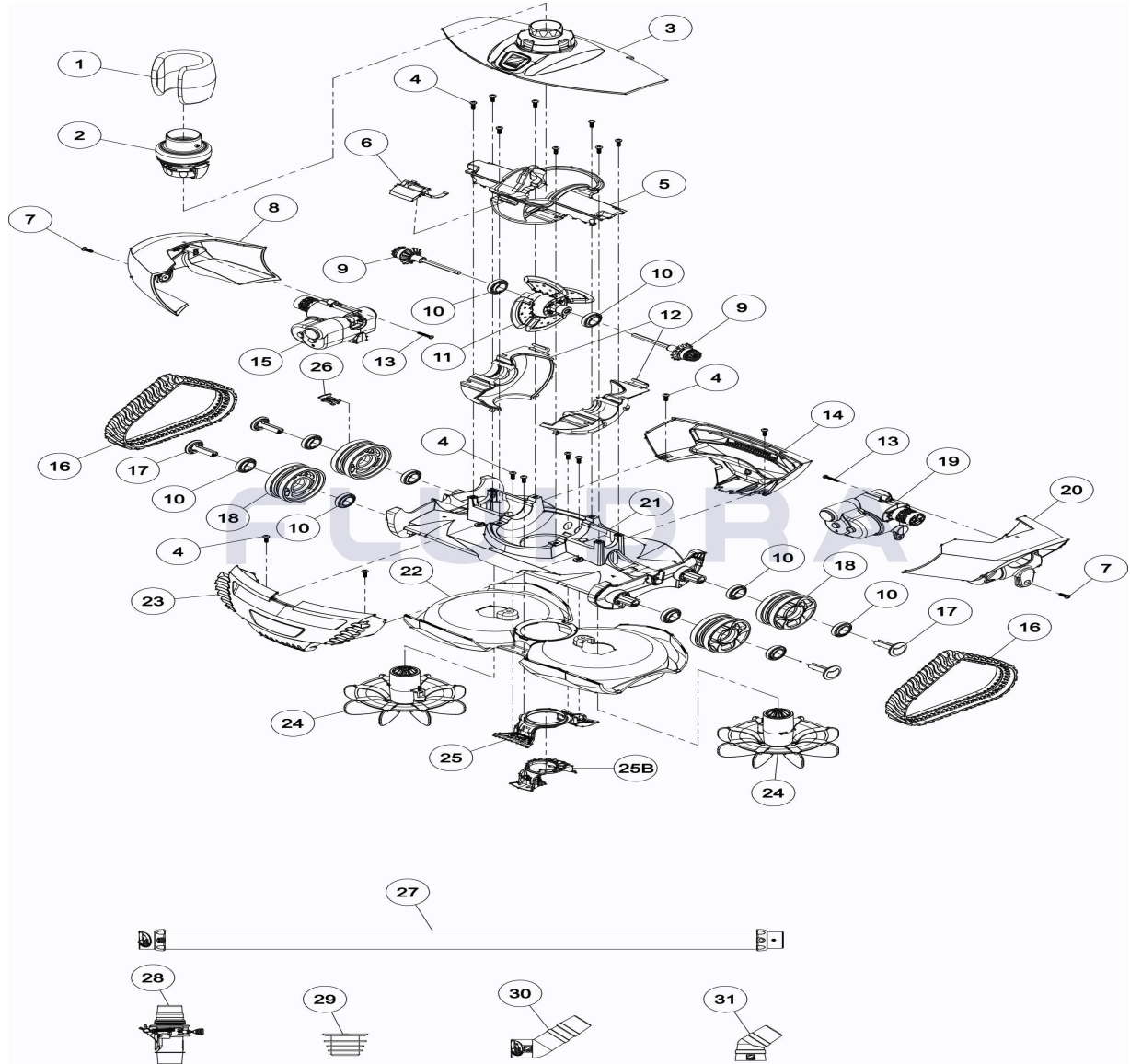


CODIGO **WS000020**

 DESCRIPCION: **MX8™ PRO**

**ESPAÑOL**

| POS | CODIGO   | DESCRIPCION                          | CANTIDAD | POS | CODIGO   | DESCRIPCION                         | CANTIDAD |
|-----|----------|--------------------------------------|----------|-----|----------|-------------------------------------|----------|
| 1   | W79032P  | FLOTADOR DE MANGUERA                 |          | 15  | W79012   | DISPOSITIVO DE CONTROL DE DIRECCIÓN |          |
| 2   | 60001100 | CONECTOR RÁPIDO (AZUL)               |          | 16  | W79025   | CORREA ORUGA TRACCIÓN DENTADA       |          |
| 3   | W79018   | TAPA SUPERIOR CON RÓTULA GIRATORIA   |          | 17  | W79065   | PERNO DE FIJACIÓN DE LA RUEDA       |          |
| 4,7 | W79035   | TORNILLO M4X12MM, PHILLIPS #2 CABEZA |          | 18  | W79024   | RUEDA                               |          |
| 5   | W79066   | CARCASA DEL MOTOR CENTRAL            |          | 19  | W79011   | DISPOSITIVO DE CONTROL DE DIRECCIÓN |          |
| 5   | W79029   | JUNTA MOTOR                          |          | 20  | W79031   | CARCASA LATERAL IZQUIERDA (A)       |          |
| 5   | W79028   | RAMPA MOTOR                          |          | 21  | W79062   | CONJUNTO CUERPO INFERIOR CHASIS     |          |
| 6   | W79027   | PESTILLO CLIP DE CIERRE DE LA TAPA   |          | 22  | W79021   | CARCASA INFERIOR                    |          |
| 8   | W79030   | CARCASA LATERAL DERECHA (B)          |          | 23  | W79019   | CARCASA FRONTAL (C)                 |          |
| 9   | W79015   | ENGRANAJE LATERAL DEL EJE DEL MOTOC  |          | 24  | W79014   | HÉLICE DE LIMPIEZA (UNIDAD)         |          |
| 10  | W79034   | COJINETE, (RUEDA Y MOTOR)            |          | 25  | W79017   | BOQUILLA DE ASPIRACIÓN              |          |
| 11  | W79013   | CONJUNTO SOPORTE ALETAS DEL MOTOI    |          | 25B | W79047P  | ADAPTADOR DE BOQUILLA DE ASPIRACIÓN |          |
| 12  | W79022   | CONJUNTO CARCASA DEL MOTOR INFERI    |          | 26  | A0235200 | INDICADOR VELOCIDAD RUEDA           |          |

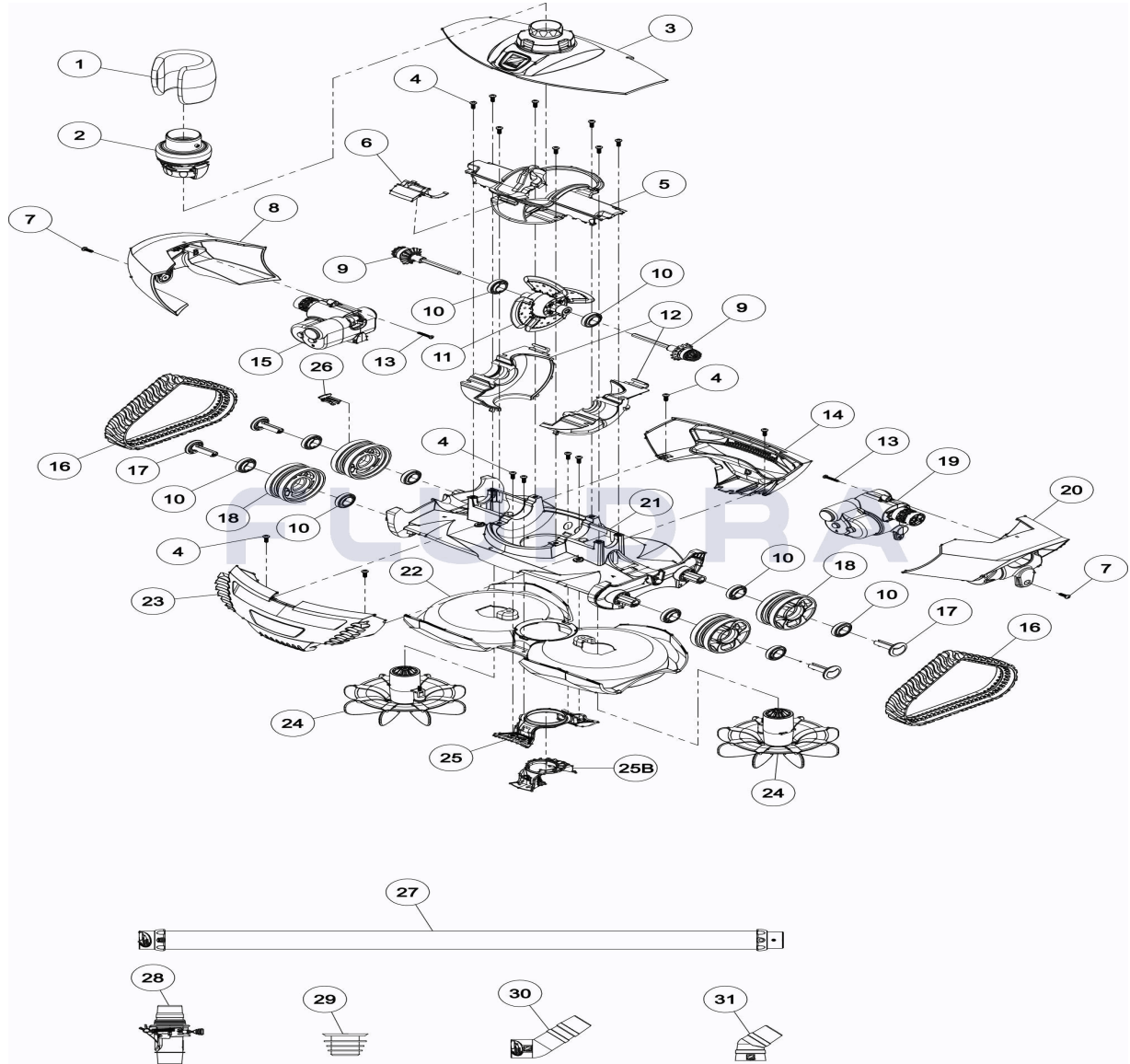
CODIGO **WS000020**DESCRIPCION: **MX8™ PRO**

|    |         |                                     |    |            |                                    |
|----|---------|-------------------------------------|----|------------|------------------------------------|
| 13 | W79036  | TORNILLO, FORMACIÓN DE LA RANURA, # | 27 | W78055     | JUEGO DE 6 TUBOS DE UN METRO TWIST |
| 14 | W79020  | CARCASA MÓDULO POSTERIOR (D)        | 28 | W60055P    | VÁLVULA DE REGULACIÓN AUTOMÁTICA D |
| 29 | W69657P | ADAPTADOR CÓNICO                    | -  | W79033P    | CONECTOR RÁPIDO (AZUL)             |
| 30 | W73011P | CODO CONECTOR ACCESORIO 45 CON TV   | -  | W37110     | CYCLONIC™ LEAF CATCHER             |
| 31 | W70244  | CODO CONECTOR DE 45 GRADOS          | -  | * R0806000 | TUNE UP KIT                        |

CODIGO **WS000020**DESCRIPCION: **MX8™ PRO****OBSERVACIONES**

| POS | CODIGO     | OBSERVACIONES                                    |
|-----|------------|--|
| -   | * R0806000 | PARA: COMPOSED BY: POS. 7, 9, 10, 11, 15, 16, 19 |

CODE **WS000020**

 DESCRIPTION: **MX8™ PRO**

**FRANCAIS**

| POS | CODE     | DESCRIPTION                           | QUANTITE | POS | CODE     | DESCRIPTION                    | QUANTITE |
|-----|----------|---------------------------------------|----------|-----|----------|--------------------------------|----------|
| 1   | W79032P  | FLOTTEUR DE TUYAU                     |          | 15  | W79012   | DIRECTION - (CÔTÉ B)           |          |
| 2   | 60001100 | RÉGULATEUR DE DÉBIT                   |          | 16  | W79025   | CHENILLE                       |          |
| 3   | W79018   | CAPOT SUPÉRIEUR AVEC JOINT TOURNAI    |          | 17  | W79065   | GOUPILLE ROUE                  |          |
| 4,7 | W79035   | VIS M4X12 MM, PHILLIPS #2 TÊTE PLATE  |          | 18  | W79024   | ROUE                           |          |
| 5   | W79066   | LOGEMENT CENTRAL MOTEUR               |          | 19  | W79011   | DIRECTION - (CÔTÉ A)           |          |
| 5   | W79029   | ENGINE SEAL (PRIX À L'UNITÉ, À COMMAN |          | 20  | W79031   | PANNEAU - GAUCHE (A)           |          |
| 5   | W79028   | ENGINE RAMP                           |          | 21  | W79062   | CHASSIS                        |          |
| 6   | W79027   | VERROU DE CAPOT                       |          | 22  | W79021   | COQUE INFÉRIEUR                |          |
| 8   | W79030   | PANNEAU DROIT - (B)                   |          | 23  | W79019   | PANNEAU - AVANT (C)            |          |
| 9   | W79015   | ASSEMBLAGE AXE                        |          | 24  | W79014   | ASSEMBLAGE PÂLES               |          |
| 10  | W79034   | ROULEMENT (ROUE ET MOTEUR)            |          | 25  | W79017   | BOUCHE D'ASPIRATION            |          |
| 11  | W79013   | ASSEMBLAGE MOTEUR                     |          | 25B | W79047P  | ADAPTATEUR BOUCHE D'ASPIRATION |          |
| 12  | W79022   | LOGEMENT MOTEUR INFÉRIEUR - CÔTÉ A    |          | 26  | A0235200 | INDICATEUR DE VITESSE ROUE     |          |

\* VOIR FICHE D'OBSERVATIONS

CODE **WS000020**DESCRIPTION: **MX8™ PRO**

|    |         |  |    |            |                                      |
|----|---------|--|----|------------|--------------------------------------|
| 13 | W79036  | VIS, AUTO FOREUSE, #6-18 7/8IN TYPE A, I | 27 | W78055     | JEU DE 6 SECTIONS DE TUYAUX DE 1 MÈT |
| 14 | W79020  | PANNEAU - ARRIÈRE (R)                    | 28 | W60055P    | VANNE DE RÉGLAGE AUTOMATIQUE DU DI   |
| 29 | W69657P | ADAPTATEUR CONIQUE                       | -  | W79033P    | CONNECTEUR RAPIDE BLEU               |
| 30 | W73011P | COUDE TWIST LOCK 45 DEGRÉS ALLONGI       | -  | W37110     | CYCLONIC™ LEAF CATCHER               |
| 31 | W70244  | COUDE 45 DEGRÉS                          | -  | * R0806000 | TUNE UP KIT                          |

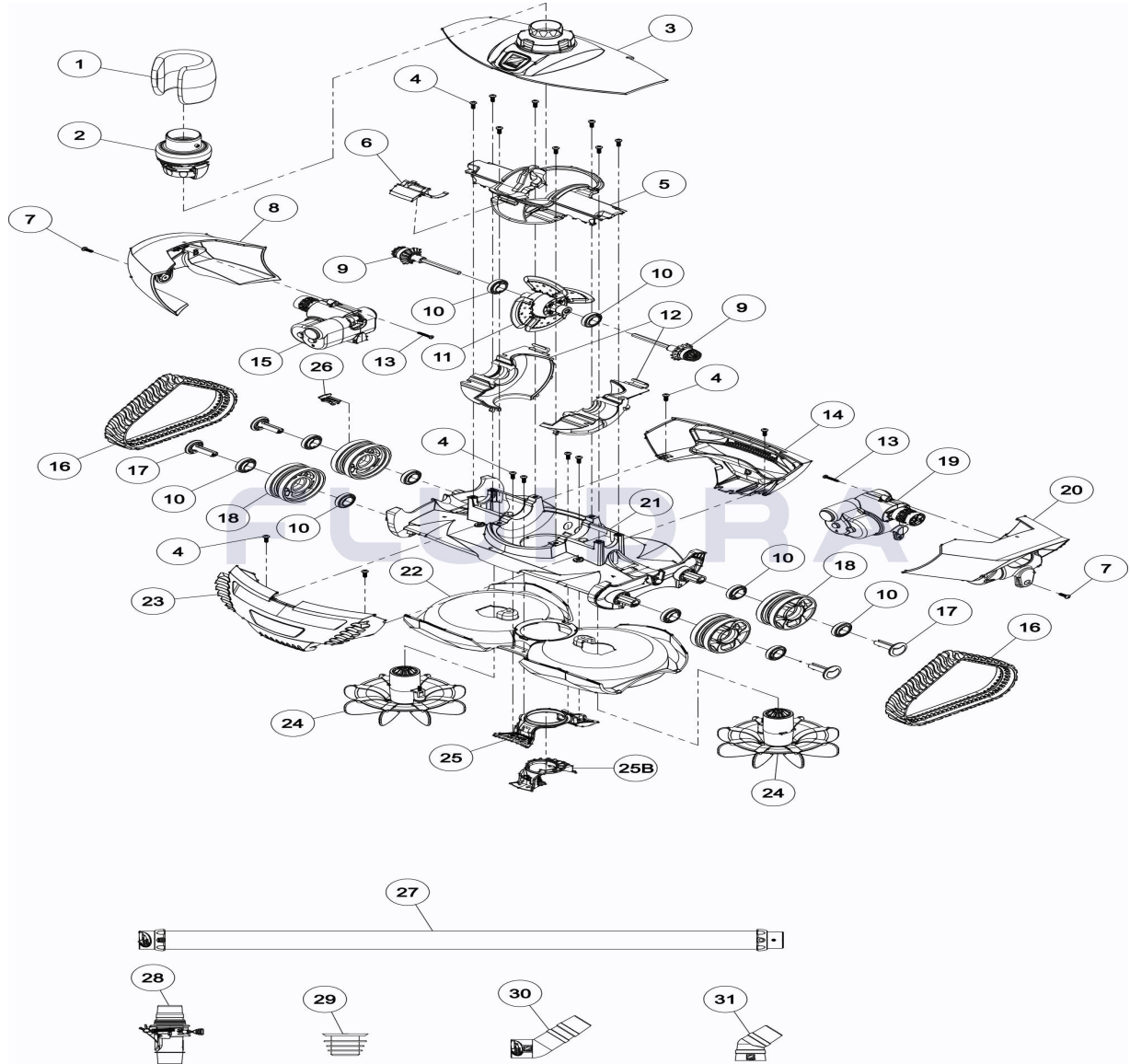
CODE **WS000020**DESCRIPTION: **MX8™ PRO**

## OBSERVATIONS

| POS | CODE       | OBSERVATIONS                                     |
|-----|------------|--|
| -   | * R0806000 | POUR: COMPOSED BY: POS: 7, 9, 10, 11, 15, 16, 19 |

CODE **WS000020**

DESCRIPTION: **MX8™ PRO**



**ENGLISH**

| POS | CODE     | DESCRIPTION                        | QUANTITY | POS | CODE     | DESCRIPTION                 | QUANTITY |
|-----|----------|------------------------------------|----------|-----|----------|-----------------------------|----------|
| 1   | W79032P  | HOSE FLOAT                         |          | 15  | W79012   | REVERSING ASSEMBLY - SIDE B |          |
| 2   | 60001100 | FLOW REGULATOR VALVE               |          | 16  | W79025   | TRACK                       |          |
| 3   | W79018   | TOP COVER/SWIVEL ASSEMBLY          |          | 17  | W79065   | WHEEL PIN                   |          |
| 4,7 | W79035   | SCREW M4X12MM PHILLIPS #2 PAN HEAD |          | 18  | W79024   | WHEEL                       |          |
| 5   | W79066   | MIDDLE DRIVE MOTOR HOUSING         |          | 19  | W79011   | REVERSING ASSEMBLY - SIDE A |          |
| 5   | W79029   | ENGINE SEAL                        |          | 20  | W79031   | BODY PANEL - LEFT           |          |
| 5   | W79028   | ENGINE RAMP                        |          | 21  | W79062   | CHASSIS ASSEMBLY            |          |
| 6   | W79027   | COVER LATCH 1                      |          | 22  | W79021   | LOWER BODY HOUSING          |          |
| 8   | W79030   | BODY PANEL - RIGHT                 |          | 23  | W79019   | BODY PANEL - FRONT          |          |
| 9   | W79015   | DRIVE SHAFT ASSEMBLY               |          | 24  | W79014   | SCRUBBER ASSEMBLY           |          |
| 10  | W79034   | BEARING (WHEEL & ENGINE)           |          | 25  | W79017   | INLET ASSEMBLY              |          |
| 11  | W79013   | DRIVE MOTOR ASSEMBLY               |          | 25B | W79047P  | REGULAR OPENING             |          |
| 12  | W79022   | LOWER DRIVE MOTOR HOUSING - SIDE A |          | 26  | A0235200 | WHEEL SPEED INDICATOR       |          |

\* SEE OBSERVATIONS SHEET

CODE **WS000020**DESCRIPTION: **MX8™ PRO**

|    |         |                                      |    |            |                                    |
|----|---------|--------------------------------------|----|------------|------------------------------------|
| 13 | W79036  | SCREW THREAD FORMING #6-18 7/8IN TYI | 27 | W78055     | SET OF 6 X 1 M TWIST LOCK HOSES    |
| 14 | W79020  | BODY PANEL - REAR                    | 28 | W60055P    | AUTOMATIC FLOW RATE ADJUSTMENT VAL |
| 29 | W69657P | CONICAL ADAPTOR                      | -  | W79033P    | QUICK CONNECTOR, BLUE              |
| 30 | W73011P | TWIST-LOCK 45 DEG ELBOW EXTENDED     | -  | W37110     | LEAF TRAP (NON CONTRACTUAL PHOTOS. |
| 31 | W70244  | 45-DEGREE ELBOW                      | -  | * R0806000 | TUNE UP KIT                        |

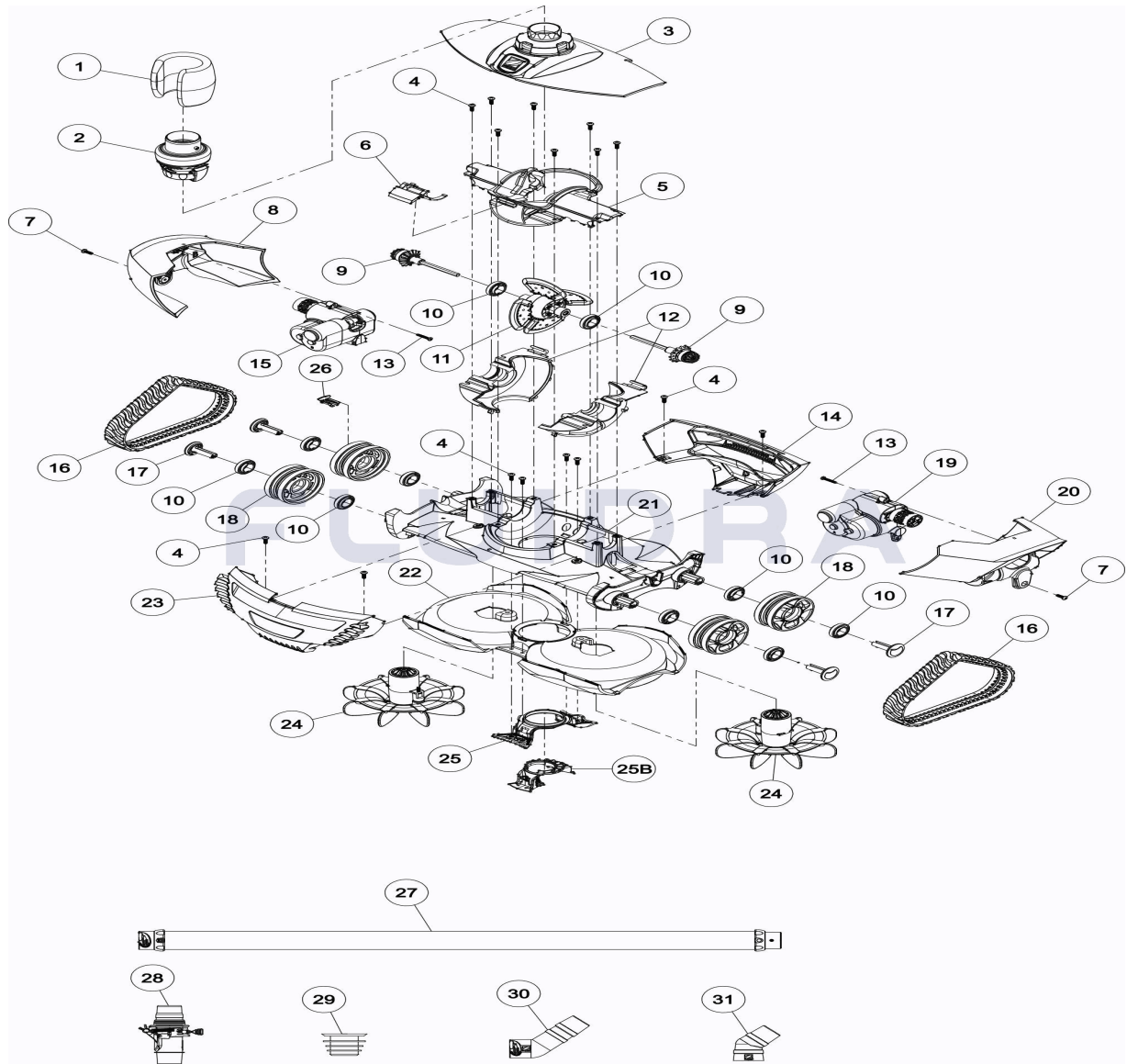


CODE **WS000020**DESCRIPTION: **MX8™ PRO**

## OBSERVATIONS

| POS | CODE       | OBSERVATIONS                                    |
|-----|------------|---|
| -   | * R0806000 | FOR: COMPOSED BY: POS. 7, 9, 10, 11, 15, 16, 19 |

CODICE **WS000020**

 DESCRIZIONE: **MX8™ PRO**

**ITALIANO**

| POS | CODICE   | DESCRIZIONE                    | QUANTITA' | POS | CODICE   | DESCRIZIONE                  | QUANTITA' |
|-----|----------|--------------------------------|-----------|-----|----------|------------------------------|-----------|
| 1   | W79032P  | GALLEGGIANTE DEL TUBO          |           | 15  | W79012   | DIREZIONE (LATO B)           |           |
| 2   | 60001100 | CONNETTORE RAPIDO (BLU)        |           | 16  | W79025   | CINGOLO                      |           |
| 3   | W79018   | CALOTTA SUP. CON GUARNIZIONE   |           | 17  | W79065   | COPIGLIA RUOTA               |           |
| 4,7 | W79035   | VITE M4X12 MM                  |           | 18  | W79024   | RUOTA                        |           |
| 5   | W79066   | ALLOGGIO CENTRALE MOTORE       |           | 19  | W79011   | DIREZIONE (LATO A)           |           |
| 5   | W79029   | GUARNIZIONE MOTORE (PREZZO UNI |           | 20  | W79031   | PANNELLO - SINISTRA (A)      |           |
| 5   | W79028   | SCIVOLO MOTORE                 |           | 21  | W79062   | TELAIO                       |           |
| 6   | W79027   | CHIUSURA CALOTTA               |           | 22  | W79021   | GUSCIO INFERIORE             |           |
| 8   | W79030   | PANNELLO DESTRO (B)            |           | 23  | W79019   | PANNELLO - ANTERIORE (C)     |           |
| 9   | W79015   | ASSEMBLAGGIO ASSE              |           | 24  | W79014   | ASSEMBLAGGIO LAME            |           |
| 10  | W79034   | CUSCINETTO A SFERA             |           | 25  | W79017   | BOCCA DI ASPIRAZIONE         |           |
| 11  | W79013   | ASSEMBLAGGIO MOTORE            |           | 25B | W79047P  | ADATTATORE BOCCA ASPIRAZIONE |           |
| 12  | W79022   | ALLOGGIO MOTORE INFERIORE      |           | 26  | A0235200 | INDICATORE DI VELOCITÀ RUOTA |           |

\* SI FACCIA RIFERIMENTO AL FOGLIO DELLE OSSERVAZIONI

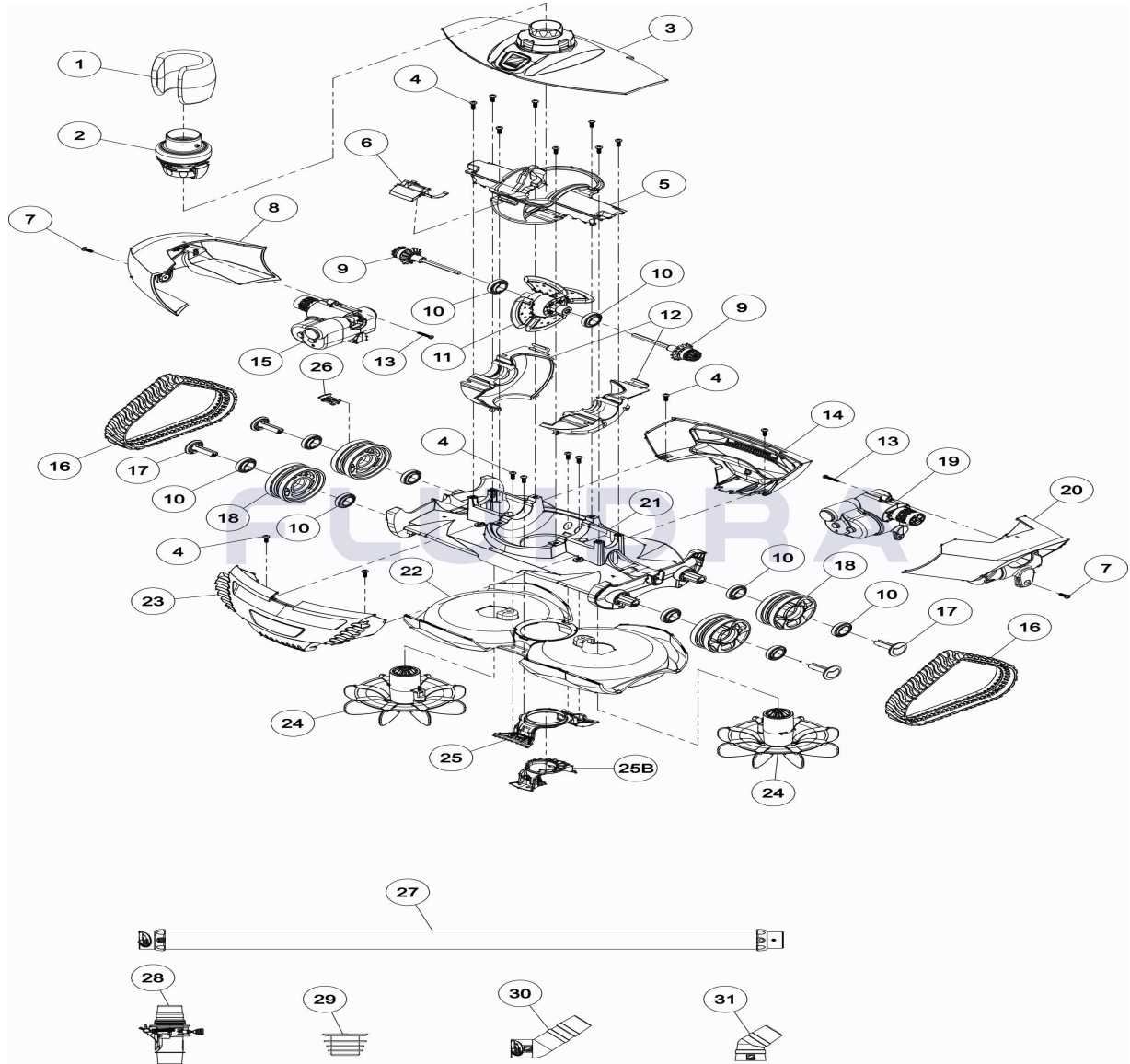
CODICE **WS000020**DESCRIZIONE: **MX8™ PRO**

|    |         |                               |    |            |                                |
|----|---------|-------------------------------|----|------------|--------------------------------|
| 13 | W79036  | VITE AUTOPERFORANTE #6-18 7/8 | 27 | W78055     | KIT 6 TUBAZIONI TWIST LOCK 1M  |
| 14 | W79020  | PANNELLO - POSTERIORE ( R )   | 28 | W60055P    | VALV.REGOLAZIONE AUTOM.PORTATA |
| 29 | W69657P | ADATTATORE CONICO             | -  | W79033P    | RACCORDO RAPIDO BLU            |
| 30 | W73011P | CURVA GOMITO TWIST LOCK 45°   | -  | W37110     | CYCLONIC LEAF TRAP             |
| 31 | W70244  | CURVA A GOMITO 45°            | -  | * R0806000 | TUNE UP KIT                    |

CODICE **WS000020**DESCRIZIONE: **MX8™ PRO****OSSERVAZIONI**

| POS | CODICE     | OSSERVAZIONI                                    |
|-----|------------|---|
| -   | * R0806000 | PER: COMPOSED BY: POS. 7, 9, 10, 11, 15, 16, 19 |

CODE **WS000020**

 BESCHREIBUNG: **MX8™ PRO**

**DEUTSCH**

| POS | CODE     | BESCHREIBUNG                  | MENGE | POS | CODE     | BESCHREIBUNG                   | MENGE |
|-----|----------|-------------------------------|-------|-----|----------|--------------------------------|-------|
| 1   | W79032P  | AUFTRIEBSKÖRPER F. MX8        |       | 15  | W79012   | GETRIEBEEINHEIT LINKS MX8/MX9  |       |
| 2   | 60001100 | SCHNELLANSCHLUSS (BLAU)       |       | 16  | W79025   | RAUPENBAND MX8/MX9             |       |
| 3   | W79018   | GEHÄUSEDECKEL OBEN MX8        |       | 17  | W79065   | RADBEFESTIGUNG F. MX8          |       |
| 4,7 | W79035   | SCREWS, M4X12MM               |       | 18  | W79024   | RAD F. MX8                     |       |
| 5   | W79066   | MOTORGEHÄUSE, OBEN F. MX8     |       | 19  | W79011   | GETRIEBEEINHEIT RECHTS MX8/MX9 |       |
| 5   | W79029   | ENGINE SEAL                   |       | 20  | W79031   | GEHÄUSETEIL, LINKS F. MX8      |       |
| 5   | W79028   | ENGINE RAMP                   |       | 21  | W79062   | GRUNDKÖRPER F. MX8             |       |
| 6   | W79027   | MX8 BODY LATCH BUTTON         |       | 22  | W79021   | GEHÄUSETEIL UNTEN F. MX8       |       |
| 8   | W79030   | GEHÄUSETEIL RECHTS F. MX8     |       | 23  | W79019   | GEHÄUSETEIL, VORNE F. MX8      |       |
| 9   | W79015   | ANTRIEBSACHSE F. MX8          |       | 24  | W79014   | SAUGPROPELLER F. MX8           |       |
| 10  | W79034   | KUGELLAGER                    |       | 25  | W79017   | ANSAUGSTUTZEN F. MX8           |       |
| 11  | W79013   | ANTRIEBSMOTOR F. MX8          |       | 25B | W79047P  | ANSAUGSTUTZEN OBERTEIL MX8     |       |
| 12  | W79022   | MOTORGEHÄUSE, SEITENTEILE MX8 |       | 26  | A0235200 | INDICATEUR DE VITESSE ROUE     |       |

\* SIEHE ANMERKUNGSBLATT

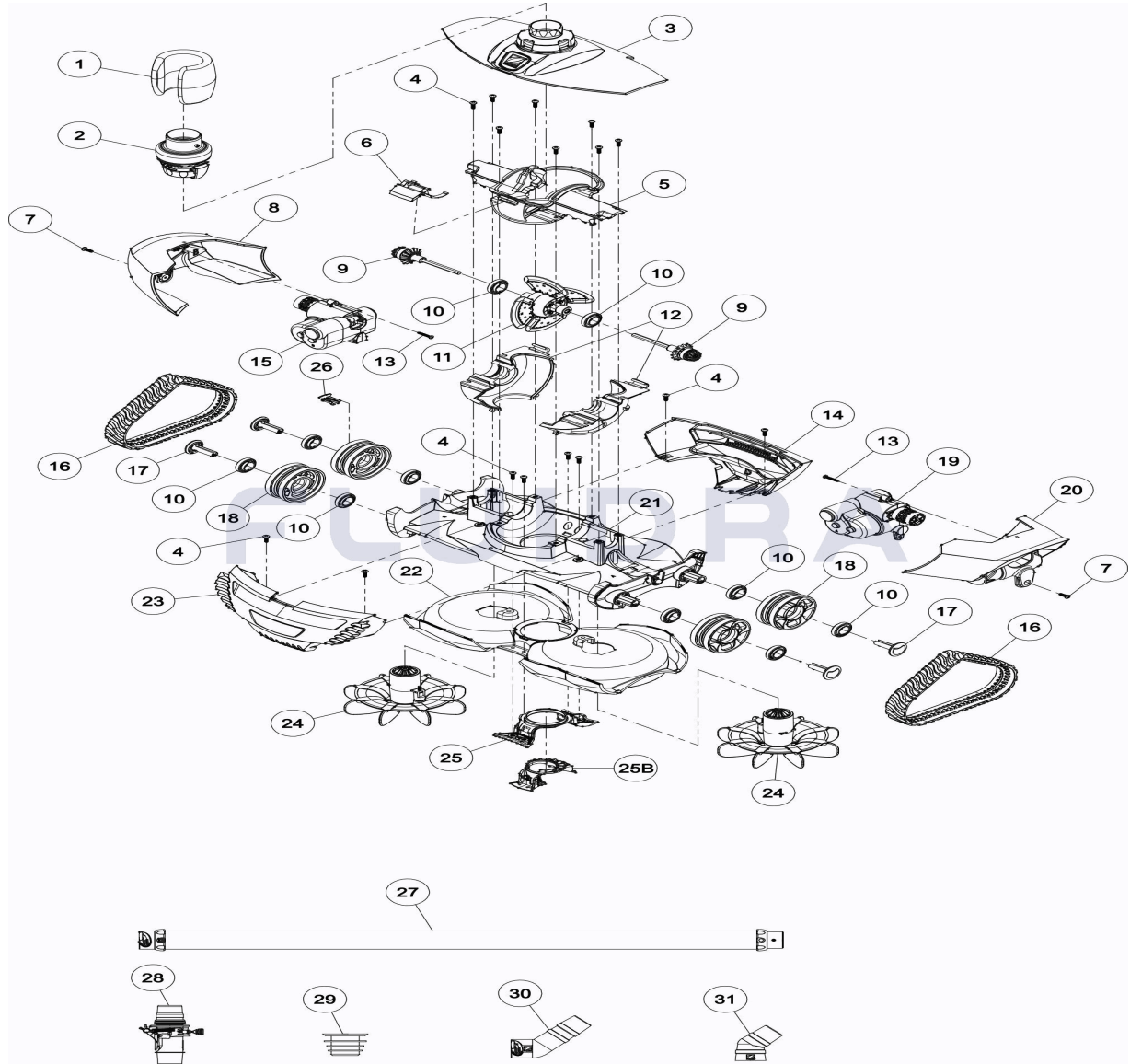
CODE **WS000020**BESCHREIBUNG: **MX8™ PRO**

|    |         |                            |    |            |                              |
|----|---------|----------------------------|----|------------|------------------------------|
| 13 | W79036  | SCREWS, TREAD FORMING      | 27 | W78055     | SCHLAUCHPAKET (6 X 1M STÜCK) |
| 14 | W79020  | GEHÄUSE RÜCKSEITE F. MX8   | 28 | W60055P    | STEUERVENTIL-DURCHFLUSSMENGE |
| 29 | W69657P | ANSCHLUSSSTÜCK, KONISCH F. | -  | W79033P    | SCHLAUCHADAPTER              |
| 30 | W73011P | BOGENSTÜCK 45 GRAD F. MX8  | -  | W37110     | LAUBFÄNGER ZODIAC 2012       |
| 31 | W70244  | BOGENSTÜCK 45 GRAD         | -  | * R0806000 | TUNE UP KIT                  |

CODE **WS000020**BESCHREIBUNG: **MX8™ PRO****HINWEISE**

| POS | CODE       | HINWEISE  |
|-----|------------|---|
| -   | * R0806000 | FÜR: COMPOSED BY: POS. 7, 9, 10, 11, 15, 16, 19 |

CODIGO **WS000020**

 DESCRIÇÃO: **MX8™ PRO**

**PORTUGUES**

| POS | CODIGO   | DESCRIÇÃO                           | JANTIDADE | POS | CODIGO   | DESCRIÇÃO                      | JANTIDADE |
|-----|----------|-------------------------------------|-----------|-----|----------|--------------------------------|-----------|
| 1   | W79032P  | FLUTUADOR MANGUEIRA MX8             |           | 15  | W79012   | DISPOS.CONTROL DIRECÇÃO LADO B |           |
| 2   | 60001100 | VÁLVULA REGULADORA DE CAUDAL (AZUI) |           | 16  | W79025   | LAGARTA TRACÇÃO MX8            |           |
| 3   | W79018   | TAMPA DA RÓTULA SUPERIOR            |           | 17  | W79065   | PIN FIXAÇÃO DA RODA            |           |
| 4,7 | W79035   | PARAFUSO#6-18 7/8 TIPOA PHI.#2      |           | 18  | W79024   | RODA MX8                       |           |
| 5   | W79066   | ESTRUTURA DO MOTOR CENTRAL          |           | 19  | W79011   | DISPOS.CONTROL DIREÇÃO LADO A  |           |
| 5   | W79029   | ENGINE SEAL                         |           | 20  | W79031   | CARÇAÇA LATERAL ESQUERDA (A)   |           |
| 5   | W79028   | ENGINE RAMP                         |           | 21  | W79062   | CONJ CORPO INFERIOR ESTRUTURA  |           |
| 6   | W79027   | TRINCO CLIP DE FECHO DA TAMPA       |           | 22  | W79021   | ESTRUT INFERIOR HÉLICE LIMPEZA |           |
| 8   | W79030   | ESTRUTURA LATERAL DIREITA (B)       |           | 23  | W79019   | ESTRUTURA FRONTAL (C)          |           |
| 9   | W79015   | ENGRENAGEM LATERAL EIXO MOTOR       |           | 24  | W79014   | HÉLICE DE LIMPEZA              |           |
| 10  | W79034   | ROLAMENTO DE ESFERAS                |           | 25  | W79017   | BOCA DE ASPIRAÇÃO              |           |
| 11  | W79013   | CONJ SUPORTE ALETAS DO MOTOR        |           | 25B | W79047P  | ADAPTADOR BOCA DE ASPIRAÇÃO    |           |
| 12  | W79022   | CONJ ESTRUTURA MOTOR INFERIOR       |           | 26  | A0235200 | INDICATEUR DE VITESSE ROUE     |           |

\* VEJA A FICHA DE OBSERVAÇÕES



CODIGO **WS000020**DESCRIÇÃO: **MX8™ PRO**

|    |         |                                |    |            |                                |
|----|---------|--------------------------------|----|------------|--------------------------------|
| 13 | W79036  | PARAFUSO MX8 CABEÇA CILÍNDRICA | 27 | W78055     | PACK 6 MANGUEIRAS 1M TWISTLOCK |
| 14 | W79020  | ESTRUTURA MÓDULO POSTERIOR (D) | 28 | W60055P    | VÁLVULA REGULAÇÃO AUTO CAUDAL  |
| 29 | W69657P | ADAPTADOR CÔNICO               | -  | W79033P    | CONECTOR RÁPIDO (AZUL)         |
| 30 | W73011P | COTOVELO CONECTOR DE 45 GRAUS  | -  | W37110     | CYCLONIC TM LEAF CATCHER       |
| 31 | W70244  | COTOVELO CONECTOR DE 45 GRAUS  | -  | * R0806000 | TUNE UP KIT                    |

CODIGO **WS000020**DESCRIÇÃO: **MX8™ PRO****OBSERVAÇÕES**

| POS | CODIGO     | OBSERVAÇÕES                                      |
|-----|------------|--|
| -   | * R0806000 | PARA: COMPOSED BY: POS. 7, 9, 10, 11, 15, 16, 19 |