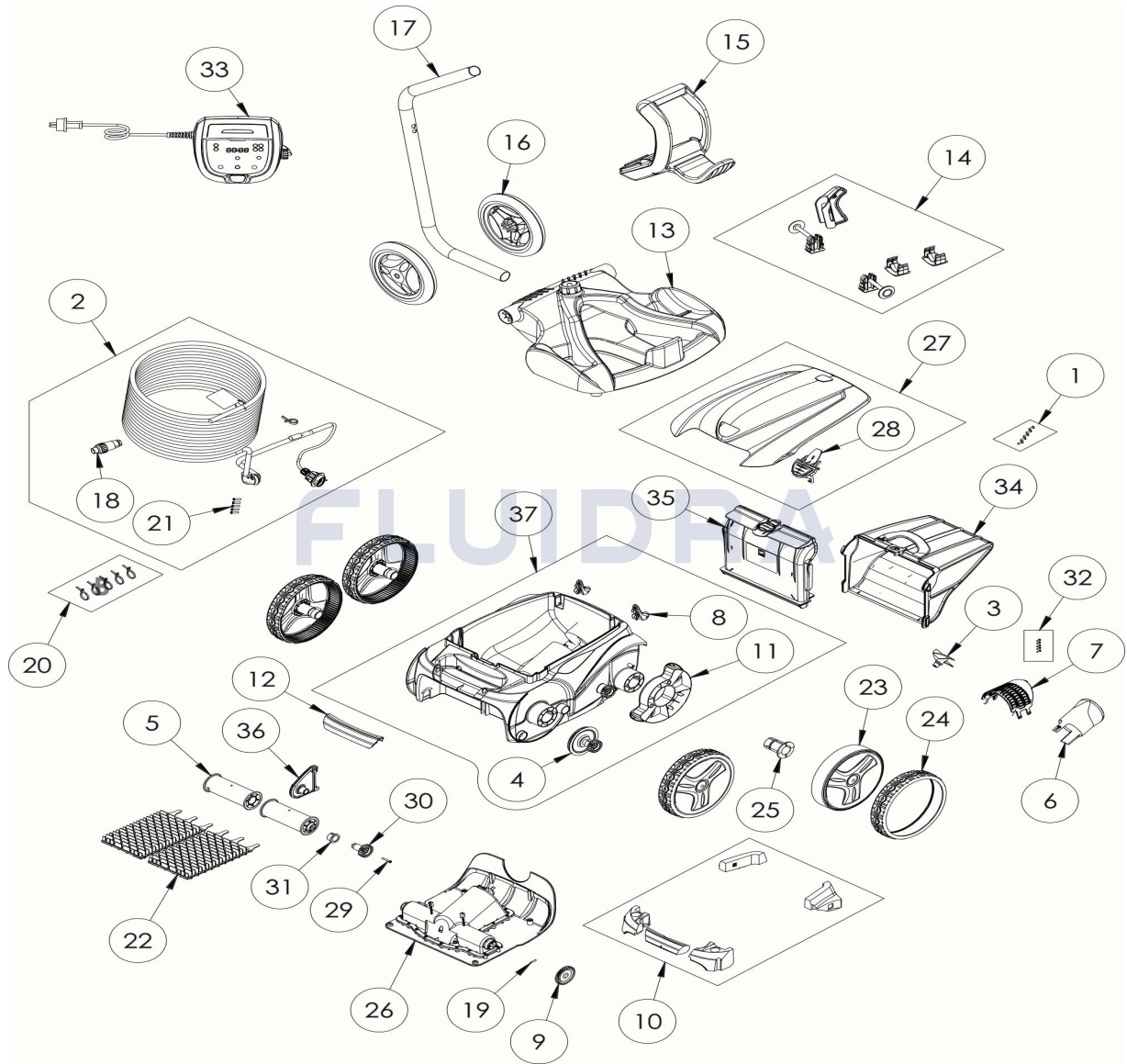


CODIGO **WR000424**

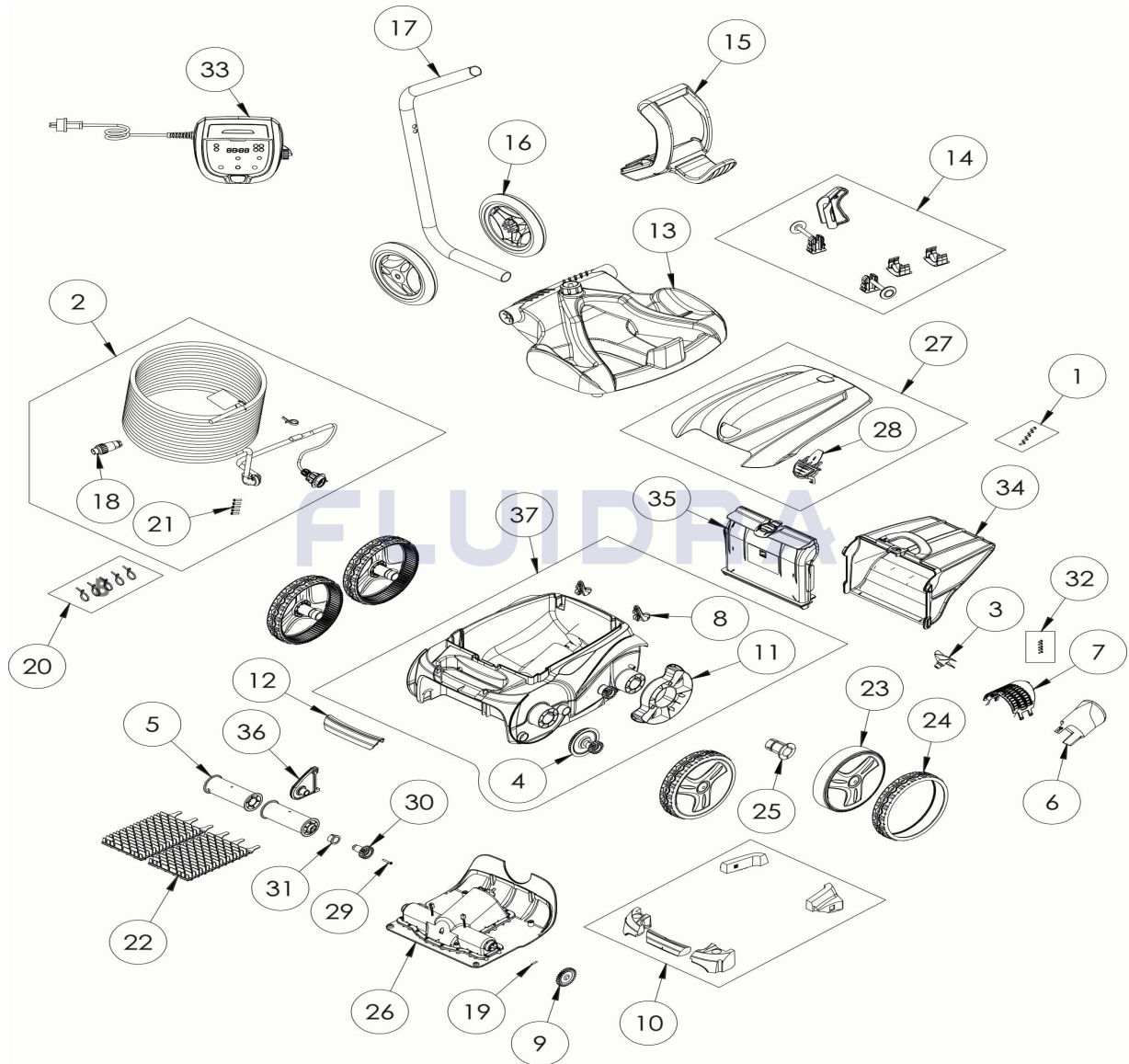
 DESCRIPCION: **OV 5310**

**ESPAÑOL**

POS	CODIGO	DESCRIPCION	CANTIDAD	POS	CODIGO	DESCRIPCION	CANTIDAD
1	R0516700	TORNILLO 4*12 MM (PACK DE 5 UN.)	1	16	R0565100	RUEDAS CARRO DE TRANSPORTE (Pack 2	1
2	R0516800	CABLE FLOTANTE 18M	1	17	R0565200	TUBO CARRO DE TRANSPORTE	1
3	R0517000	HÉLICE	1	18	R0565600	CONECTOR DE CABLE 4 PINS	1
4	R0517200	CJTO. TRANSMISIÓN	4	19	R0567800	CLIP FIJADOR 3*16 MM (Pack 5 UN)	1
5	R0517400	RODILLO PORTACEPILLOS (Pack 2 UN)	1	20	R0567900	ABRAZADERAS CABLE FLOTANTE ( Pack 5	1
6	R0517500	CANALIZADOR DE FLUJO	1	21	R0608500	TORNILLO 4*16 MM (PACK DE 5 UN	1
7	R0517600	MALLA PROTECCIÓN	1	22	R0635901	CEPILLOS TIPO 1 PMS2915 ZODIAC (Pack 2	1
8	R0518100	PARACHOQUES CON RUEDAS (Pack 2 UN)	1	23	R0636002	LLANTA GRANDE PMS2915 ZODIAC	4
9	R0518800	PIÑÓN 27 DIENTES (Pack 2 UN)	1	24	R0636200	LLANTA GRANDE GD RAL9022 ZODIAC	4
10	R0539700	FLOTADOR	1	25	R0636700	CASQUILLO COJINETE RUEDA ZODIAC	4
11	R0540300	PROTECTOR DE RUEDA	2	26	R0638000	BLOQUE MOTOR TIPO C	1
12	R0540400	EMPUÑADURA PMS295	1	27	R0638200	TAPA DELANTERA RV4460	1
13	R0564800	BASE CARRO DE TRANSPORTE	1	28	R0638700	CIERRE TAPA PMS108	1

CODIGO **WR000424**DESCRIPCION: **OV 5310**

14	R0564900	KIT ACCESORIOS CARRO	1	29	R0638900	TORNILLO 4*25 MM (Pack 5 UN)	1
15	R0565000	EMPUÑADURA CARRO DE TRANSPORTE	1	30	R0639000	PIÑÓN 17 DIENTES (Pack 2 UN)	1
31	R0639100	CASQUILLO EXTERIOR (Pack 2 UN)	1	35	R0865100	SOPORTE FILTRO	1
32	R0639200	TORNILLO 2.9*9.5 MM (Pack 5 UN)	1	36	R0880500	CLIP FIJACIÓN DE RODILLOS	1
33	R0805400	UNIDAD DE CONTROL 12V	1	37	R0882700	CARCASA COMPLETA 4WD	1
34	R0863600	FILTRO RESIDUOS FINOS 100µ	1	N/S	R0950200	EMBALAJE OV 5310	1

CODE **WR000424**

 DESCRIPTION: **OV 5310**

**FRANCAIS**

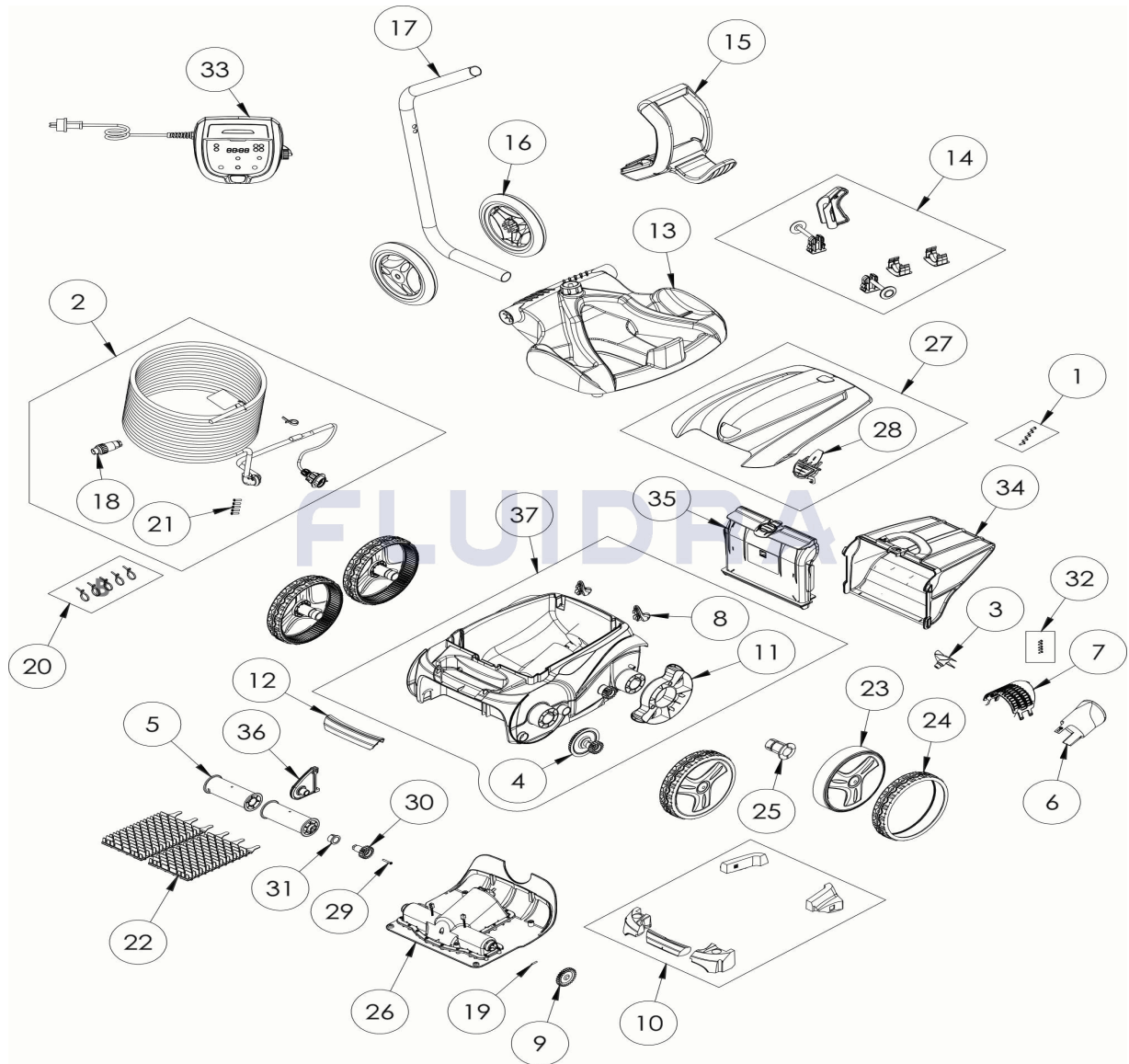
POS	CODE	DESCRIPTION	QUANTITE	POS	CODE	DESCRIPTION	QUANTITE
1	R0516700	VIS 4*12 MM (X5)	1	16	R0565100	ROUES CHARIOT (*2)	1
2	R0516800	CABLE FLOTTANT 18M	1	17	R0565200	TUBE CHARIOT	1
3	R0517000	HELICE V	1	18	R0565600	CONNECTEUR 4 PTS	1
4	R0517200	TRANSMISSION	4	19	R0567800	GOUPILLE 3*16 MM (*5)	1
5	R0517400	SUPPORT BROSE (*2)	1	20	R0567900	LIEN SERRAGE CABLE FLOTT (*5)	1
6	R0517500	GUIDE FLUX	1	21	R0608500	VIS 4*16 MM A4 (*5)	1
7	R0517600	GRILLE MOTEUR	1	22	R0635901	BROSSE TYPE 1 PMS2915 ZODIAC (*2)	1
8	R0518100	BUMPER A ROULETTE(*2)	1	23	R0636002	JANTE GDE PMS2915 ZODIAC	4
9	R0518800	PIGNON 27 DENTS (*2)	1	24	R0636200	BANDAGE GD RAL9022 ZODIAC	4
10	R0539700	FLOTTEUR COMPLET	1	25	R0636700	PALIER ROUE ZODIAC	4
11	R0540300	PROTECTION ROUE	2	26	R0638000	BLOC MOTEUR TYPE C	1
12	R0540400	POIGNEE PMS295	1	27	R0638200	TRAPPE RV4460	1
13	R0564800	EMBASE CHARIOT	1	28	R0638700	VERROU TRAPPE PMS108	1

CODE **WR000424**DESCRIPTION: **OV 5310**

14	R0564900	PIECES ACCESSOIRE CHARIOT	1	29	R0638900	VIS 4*25 MM (*5)	1
15	R0565000	POIGNEE CHARIOT	1	30	R0639000	PIGNON 17 DENTS (*2)	1
31	R0639100	PALIER EXTERIEUR (*2)	1	35	R0865100	SUPPORT BAC FILTRANT	1
32	R0639200	VIS 2.9*9.5 MM (*5)	1	36	R0880500	PONTET BROSSE	1
33	R0805400	COFFRET COMMANDE TYPE 12V	1	37	R0882700	CORPS 4WD	1
34	R0863600	FILTRE DEBRIS FINS 100µ	1	N/S	R0950200	EMBALLAGE OV 5310	1

CODE **WR000424**

DESCRIPTION: **OV 5310**



**ENGLISH**

POS	CODE	DESCRIPTION	QUANTITY	POS	CODE	DESCRIPTION	QUANTITY
1	R0516700	SCREWS 4*12 MM (X5)	1	16	R0565100	TROLLEY WHEELS (*2)	1
2	R0516800	FLOATING CABLE 18M	1	17	R0565200	TROLLEY TUBE	1
3	R0517000	PROPELLER	1	18	R0565600	FLOATING CABLE PLUG	1
4	R0517200	TRANSMISSION	4	19	R0567800	MOTOR BLOCK SHAFT PIN (SET OF 5)	1
5	R0517400	BRUSH ROLLER	1	20	R0567900	FLOATING CABLE CLAMP (SET OF 5)	1
6	R0517500	FLOW OUTLET	1	21	R0608500	SCREW 4*16MM (set of 5)	1
7	R0517600	MOTOR SCREEN	1	22	R0635901	BRUSH TYPE 1 PMS2915 ZODIAC (*2)	1
8	R0518100	ROLLER (SET OF 2)	1	23	R0636002	RIM LARGE PMS2915 ZODIAC	4
9	R0518800	DRIVE GEAR (SET OF 2)	1	24	R0636200	TIRE LARGE RAL9022 ZODIAC	4
10	R0539700	FLOAT	1	25	R0636700	WHEEL BUSHING ZODIAC	4
11	R0540300	COVER WHEELS PROTECTION	2	26	R0638000	MOTOR BLOCK TYPE C	1
12	R0540400	HANDLE BLUE	1	27	R0638200	COVER RV4460	1
13	R0564800	TROLLEY BASE	1	28	R0638700	COVER LATCH GRIP PMS108	1

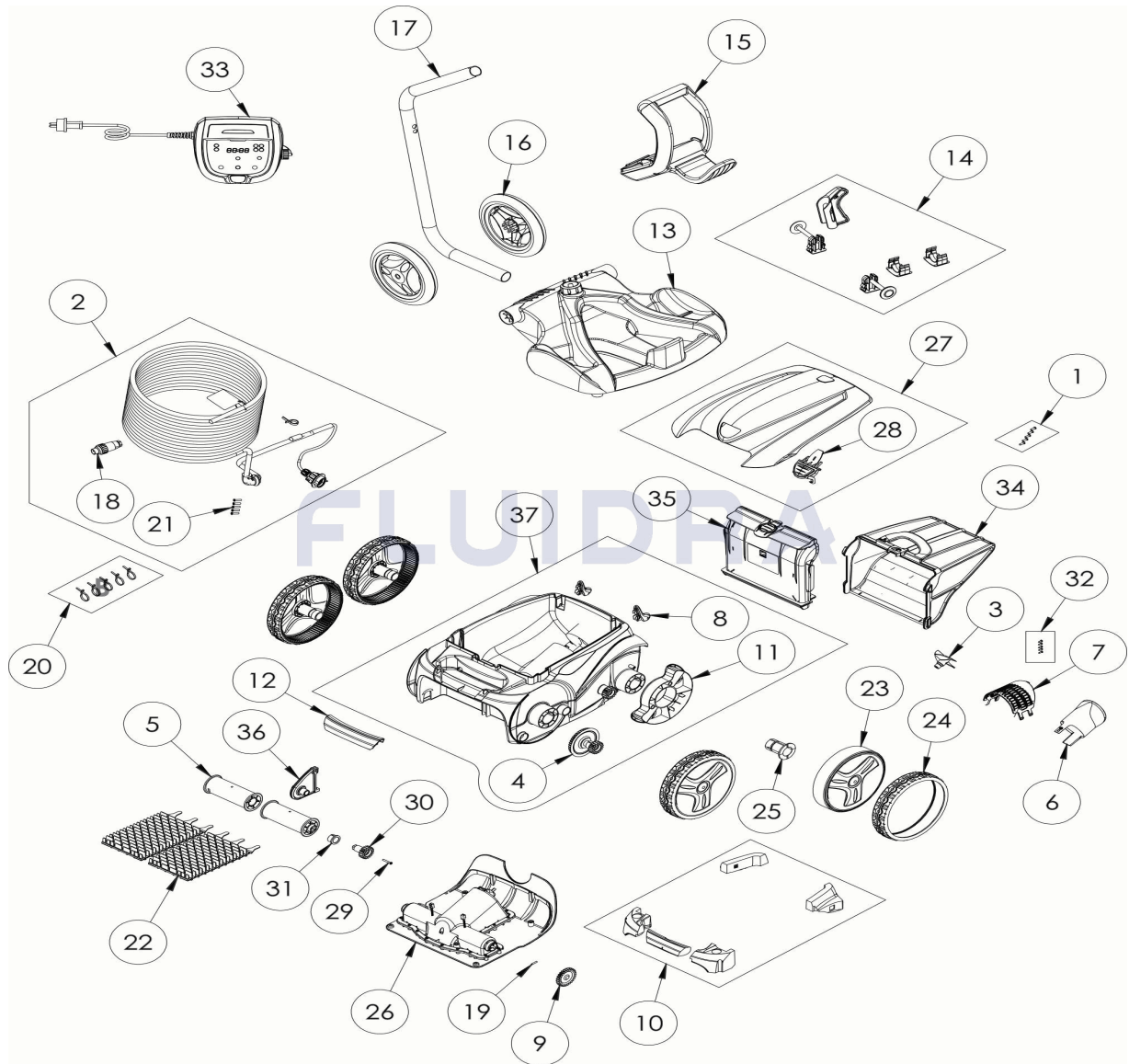
CODE                    **WR000424**

DESCRIPTION: **OV 5310**

14	R0564900	TROLLEY ACCESSORIES	1	29	R0638900	SCREW 4*25 MM (SET OF 5)	1
15	R0565000	TROLLEY HANDLE	1	30	R0639000	17 GEAR (*2)	1
31	R0639100	OUTER BEARING (*2)	1	35	R0865100	FILTER CANISTER INLET HOUSING	1
32	R0639200	SCREW 2.9*9.5 MM (SET OF 5)	1	36	R0880500	ROLLER SUPPORT	1
33	R0805400	CONTROL UNIT TYPE 12V	1	37	R0882700	MAIN BODY 4WD	1
34	R0863600	FINE FILTER 100µ	1	N/S	R0950200	CARTON OV 5310	1



CODICE **WR000424**

 DESCRIZIONE: **OV 5310**

**ITALIANO**

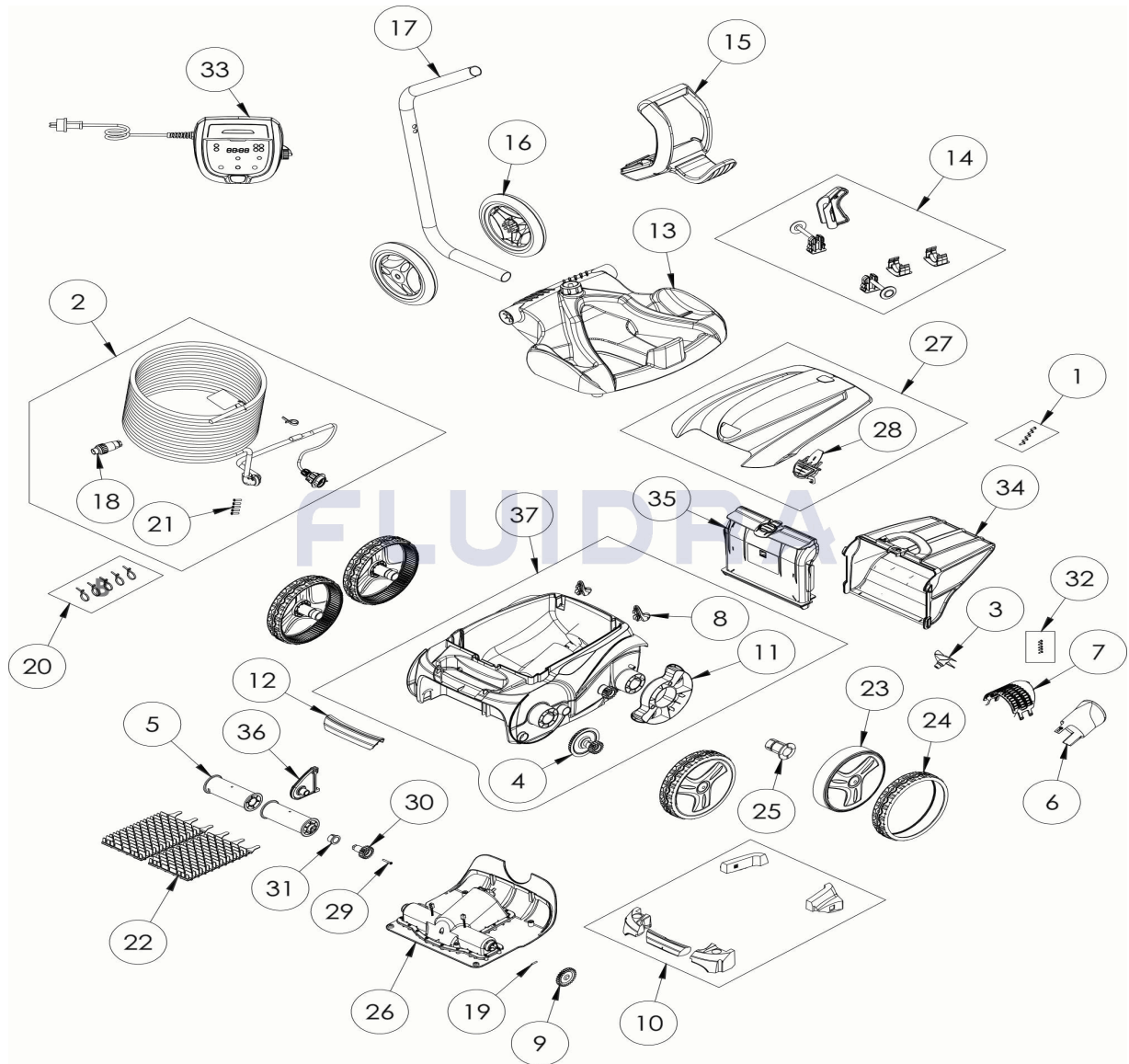
POS	CODICE	DESCRIZIONE	QUANTITA'	POS	CODICE	DESCRIZIONE	QUANTITA'
1	R0516700	VITE 4*12 MM (*5)	1	16	R0565100	RUOTE CARRELLO (*2)	1
2	R0516800	CAVO GALLEGGIANTE 18M	1	17	R0565200	TUBO CARRELLO	1
3	R0517000	ELICA	1	18	R0565600	CONNETTORE CAVO	1
4	R0517200	TRASMISSIONE	4	19	R0567800	COPIGLIA 3*16 MM (*5)	1
5	R0517400	SUPPORTO SPAZZOLA (*2)	1	20	R0567900	SET 5 PINZE PER FLOTTANTI	1
6	R0517500	GUIDA FLUSSO	1	21	R0608500	VITE 4*16 MM A4 (*5)	1
7	R0517600	GRIGLIA	1	22	R0635901	SPAZZOLA TIPO 1 PMS2915 ZODIAC (*2)	1
8	R0518100	PARAURTI A ROTELLA (*2)	1	23	R0636002	CERCHIO GRANDE PMS2915 ZODIAC	4
9	R0518800	KIT 2 PIGNONE 27 DENTI	1	24	R0636200	GOMMA GRANDE RAL9022 ZODIAC	4
10	R0539700	FLOTTANTE COMPLETO	1	25	R0636700	CUSCINETTO RUOTA ZODIAC	4
11	R0540300	PROTEZIONE RUOTA	2	26	R0638000	BLOCCO MOTORE TIPO C	1
12	R0540400	MANIGLIA PMS295	1	27	R0638200	PORTELLO RV4460	1
13	R0564800	BASE CARRELLO	1	28	R0638700	BLOCCO IMPUGNATURA COPERCHIO PMS	1

CODICE **WR000424**DESCRIZIONE: **OV 5310**

14	R0564900	PEZZI ACCESSORI CARRELLO	1	29	R0638900	VITE 4*25 MM (*5)	1
15	R0565000	MANIGLIA CARRELLO	1	30	R0639000	KIT 2 PIGNONE 17 DENTI	1
31	R0639100	CUSCINETTO ESTERIORE (*2)	1	35	R0865100	SUPPORTO FILTRO V	1
32	R0639200	KIT 5 VITI 2.9*9.5 MM	1	36	R0880500	PONTICELLO SPAZZOLA	1
33	R0805400	QUADRO COMANDI TIPO 12V	1	37	R0882700	GUSCIO COMPLETO 4WD	1
34	R0863600	FILTRO DETRITI SOTTILI 100µ	1	N/S	R0950200	IMBALLAGGIO OV 5310	1



CODE **WR000424**

 BESCHREIBUNG: **OV 5310**


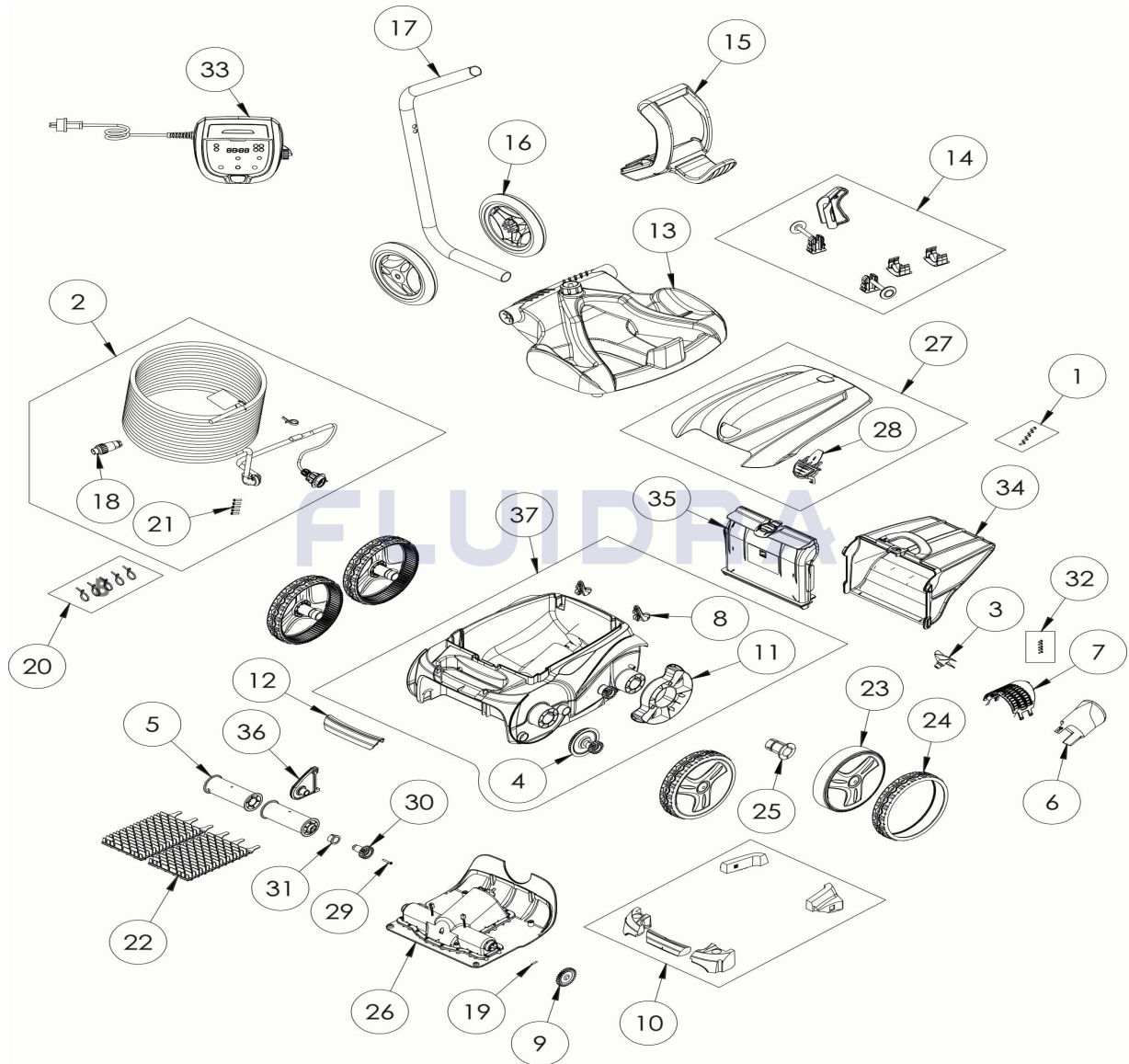
## DEUTSCH

POS	CODE	BESCHREIBUNG	MENGE	POS	CODE	BESCHREIBUNG	MENGE
1	R0516700	SCHRAUBE 4 * 12 MM(SET mit 5 Stk.)	1	16	R0565100	RÄDER CADDY (SET mit 2 Stk.)	1
2	R0516800	SCHWIMMKABEL KOMPLETT 18M	1	17	R0565200	STANDROHR FÜR CADDY	1
3	R0517000	TURBINE	1	18	R0565600	SCHWIMMKABEL STECKER (4 PTS)	1
4	R0517200	GETRIEBE	4	19	R0567800	SPLINT FÜR KREUZAPPENANTRIEB (SET	1
5	R0517400	BÜRSTENWALZE (SET mit 2 Stk.)	1	20	R0567900	KLEMME FÜR SCHWIMMKABEL (SET mit 5 Stk.)	1
6	R0517500	STRÖMUNGSDÜSE	1	21	R0608500	SCHRAUBE 4 * 16 MM, A4 (SET mit 5 Stk.)	1
7	R0517600	SCHUTZGITTER	1	22	R0635901	BÜRSTEN TYP 1 PMS2915 ZODIAC (2 im SE	1
8	R0518100	STOSSFÄNGER MIT ROLLER (SET mit 2 Stk.)	1	23	R0636002	FELGE GROß, VORNE, PMS2915	4
9	R0518800	ZAHNRAD 27 ZÄHNE (SET mit 2 Stk.)	1	24	R0636200	REIFEN GROß RAL9022 (4WD)	4
10	R0539700	SCHWIMMKÖRPER, KOMPLET EC	1	25	R0636700	RADBÜCHSE EC	4
11	R0540300	RADSCHUTZBLENDE	2	26	R0638000	MOTORBLOCK TYP C	1
12	R0540400	GRIFSTÜCK BLAU PMS295	1	27	R0638200	GEHÄUSEDECKEL RV4460	1
13	R0564800	BODENPLATTE CADDY	1	28	R0638700	GEHÄUSERIGEL, PMS108	1

CODE **WR000424**BESCHREIBUNG: **OV 5310**

14	R0564900	ZUBEHÖR CADDY	1	29	R0638900	SCHRAUBE 4 * 25 MM, A2 (SET mit 5 Stk.)	1
15	R0565000	HANDGRIFF CADDY	1	30	R0639000	ZAHNRAD 17 ZÄHNE (SET mit 2 Stk.)	1
31	R0639100	ZAHNRADBÜCHSE (SET mit 2 Stk.)	1	35	R0865100	DECKEL FILTERKORB	1
32	R0639200	ZYLINDERKOPFSCHRAUBE 2,9 * 9,5 MM (S	1	36	R0880500	BÜRSTENANKER	1
33	R0805400	STEUERBOX TYP 12V	1	37	R0882700	GEHÄUSE 4WD	1
34	R0863600	FILTER FEIN 100µ	1	N/S	R0950200	VERPACKUNG OV 5310	1

CODIGO **WR000424**

 DESCRIÇÃO: **OV 5310**


### PORTUGUES

POS	CODIGO	DESCRIÇÃO	JANTIDADE	POS	CODIGO	DESCRIÇÃO	JANTIDADE
1	R0516700	PARAFUSO 4*12 MM (Pack 5 UN)	1	16	R0565100	RODAS CARRO DE TRANSPORTE	1
2	R0516800	CABO FLUTUANTE 18M	1	17	R0565200	TUBO CARRO DE TRANSPORTE	1
3	R0517000	HÉLICE	1	18	R0565600	LIGAÇÃO DE CABO 4 PINS	1
4	R0517200	CJTO. TRANSMISSÃO	4	19	R0567800	CLIP FIXADOR 3*16 MM (Pack 5 UN)	1
5	R0517400	ROLO PORTA-ESCOVAS (Pack 2 UN)	1	20	R0567900	ABRACADEIRA CABO FLUTUANTE	1
6	R0517500	CANALIZADOR DE FLUXO	1	21	R0608500	PARAFUSO 4*16 MM A4 (Pack 5 UN)	1
7	R0517600	TELA PROTECÇÃO	1	22	R0635901	ESCOVAS TIPO 1 PMS2915 ZODIAC (Pack 2	1
8	R0518100	PÁRA-CHOQUES CON RODAS (Pack 2 UN)	1	23	R0636002	ARO GRANDE PMS2915 ZODIAC	4
9	R0518800	RODA DENTADA 27 DENTES (Pack 2 UN)	1	24	R0636200	ARO GRANDE GD RAL9022 ZODIAC	4
10	R0539700	FLUTUADOR	1	25	R0636700	TAMPA DO ROLAMENTO DA RODA	4
11	R0540300	PROTETOR DA RODA	2	26	R0638000	BLOCO MOTOR TIPO C	1
12	R0540400	PEGA PMS295	1	27	R0638200	TAMPA RV4460	1
13	R0564800	BASE CARRO DE TRANSPORTE	1	28	R0638700	FECHO DA TAMPA PMS108	1

CODIGO **WR000424**DESCRIÇÃO: **OV 5310**

14	R0564900	KIT ACCESÓRIOS CARRO	1	29	R0638900	PARAFUSO 4*25 MM (Pack 5 UN)	1
15	R0565000	PEGA CARRO DE TRANSPORTE	1	30	R0639000	RODA DENTADA 17 DENTES (Pack 2 UN)	1
31	R0639100	TAMPA EXTERIOR (Pack 2 UN)	1	35	R0865100	SUPORTE FILTRO	1
32	R0639200	PARAFUSO 2.9*9.5 MM (Pack 5 UN)	1	36	R0880500	CLIP FIXAÇÃO ROLOS AZUL	1
33	R0805400	UNIDADE DE CONTROLO 12V	1	37	R0882700	ESTRUTURA COMPLETA 4WD	1
34	R0863600	FILTRO RESÍDUOS FINOS 100µ	1	N/S	R0950200	EMBALAGEM OV 5310	1