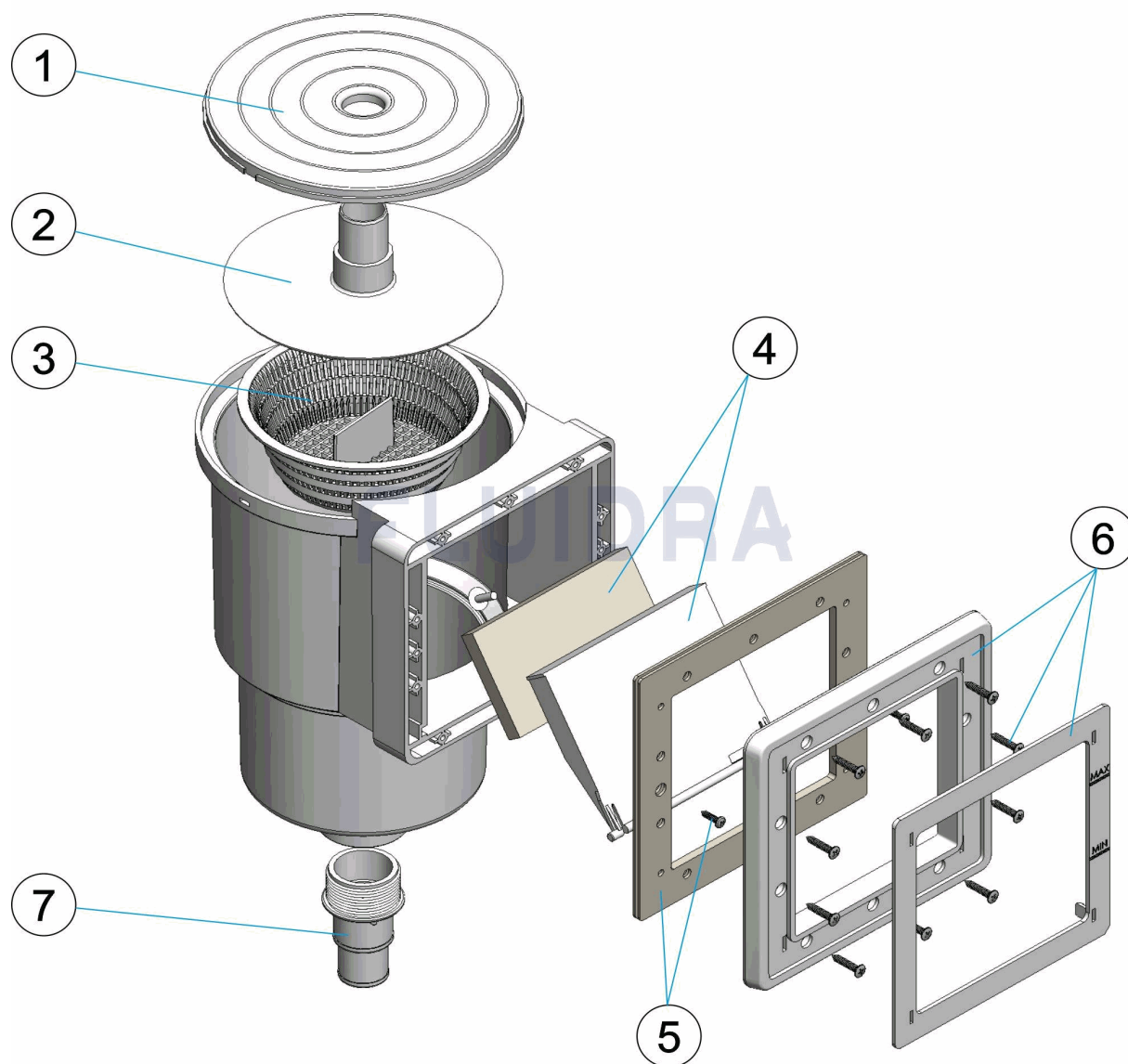


CODIGO **09714**

DESCRIPCION: **SKIMMER PISCINA ELEVADA**

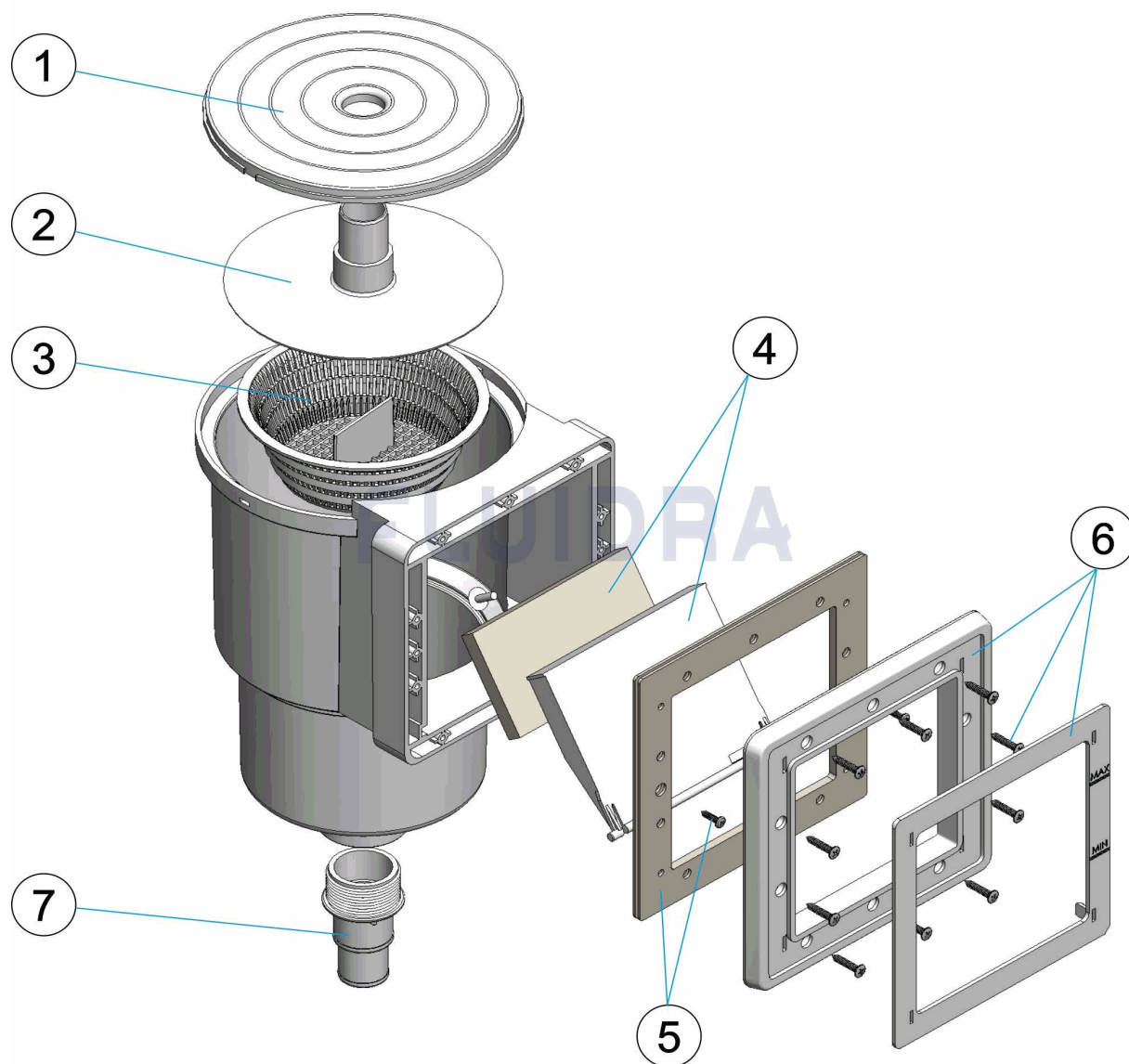


ESPAÑOL

POS	CODIGO	DESCRIPCION	CANTIDAD	POS	CODIGO	DESCRIPCION	CANTIDAD
1	4402011504	TAPA SKIMMER PISCINA ELEVADA		5	4402011505	JUNTAS MARCO PISCINA ELEVADA	
2	4402011503	TAPA CESTO PISCINA ELEVADA		6	4402011506	TAPA Y MARCO PISCINA ELEVADA	
3	4402011502	CESTO SKIMMER PISCINA ELEVADA		7	4402011507	MANGUITO SKIMMER PISCINA ELEVADA	
4	4402011501	COMPUERTA SKIMMER PISCINA ELEVADA					

CODE 09714

DESCRIPTION: SKIMMER PISCINE HORS SOL

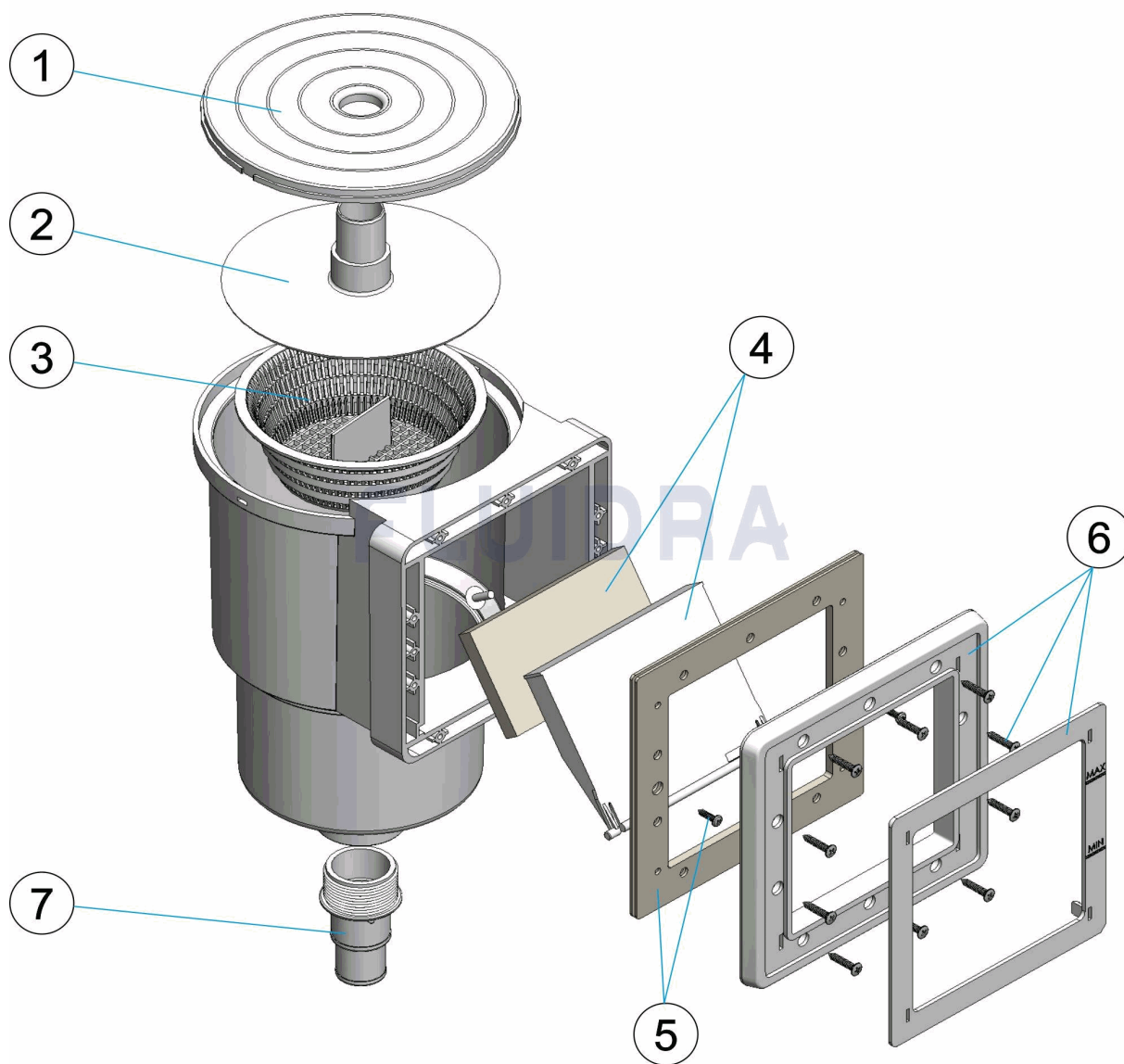


FRANCAIS

POS	CODE	DESCRIPTION	QUANTITE	POS	CODE	DESCRIPTION	QUANTITE
1	4402011504	COUVERCLE SKIMMER PISCINE HORS SO		5	4402011505	JOINTS BOUCHE SKIMMER PISCINE HORS	
2	4402011503	COUVERCLE PANIER DE SKIMMER		6	4402011506	CADRE BOUCHE SKIMMER PISCINE HORS	
3	4402011502	PANIER SKIMMER PISCINE HORS SOL		7	4402011507	MANCHON SKIMMER PISCINE HORS SOL	
4	4402011501	VOLET DE SKIMMER PISCINE HORS SOL					

CODE **09714**

DESCRIPTION: **ABOVE-GROUND POOL SKIMMER**

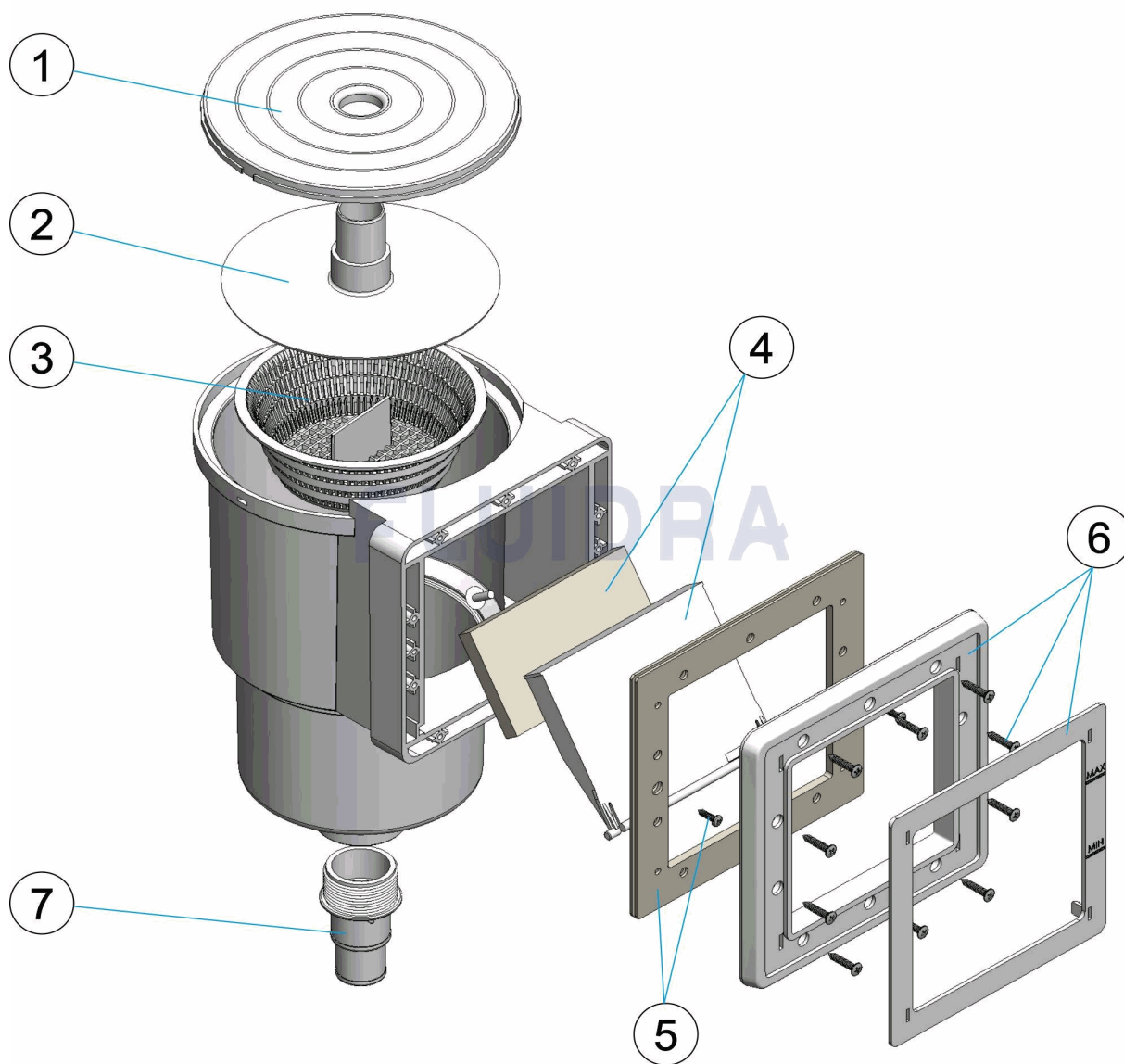


ENGLISH

POS	CODE	DESCRIPTION	QUANTITY	POS	CODE	DESCRIPTION	QUANTITY
1	4402011504	SKIMMER LID FOR ABOVE GROUND POOL		5	4402011505	FRAME GASKET FOR ABOVE GROUND POOL	
2	4402011503	BASKET LID FOR ABOVE GROUND POOL		6	4402011506	FRAME & FRAME COVER FOR ABOVE GROUND POOL	
3	4402011502	SKIMMER BASKET FOR ABOVE GROUND POOL		7	4402011507	SKIMMER CONNECTOR FOR ABOVE GROUND POOL	
4	4402011501	SKIMMER FLAP FOR ABOVE GROUND POOL					

CODICE **09714**

DESCRIZIONE: **SKIMMER PISCINA ELEVATA**

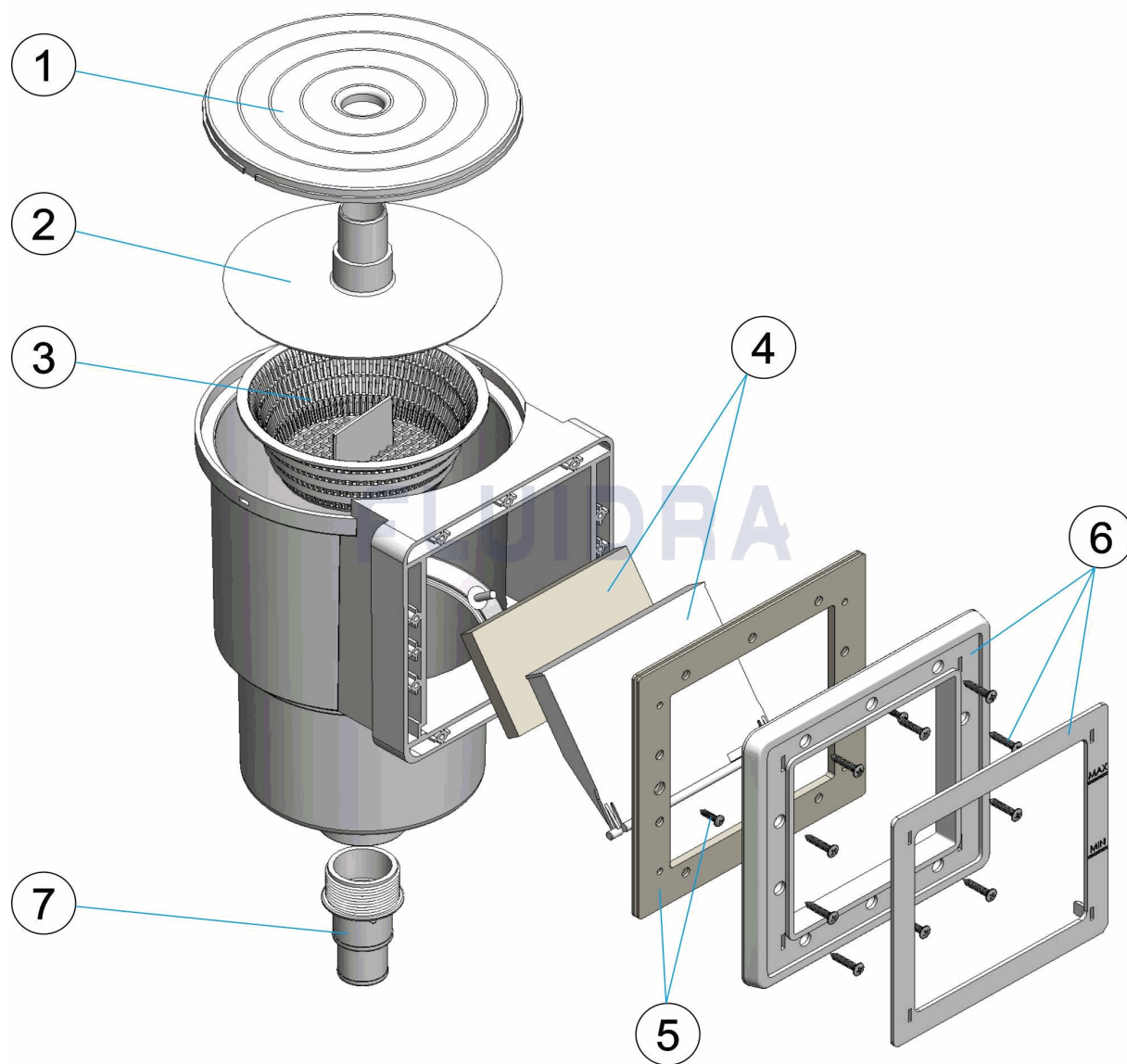


ITALIANO

POS	CODICE	DESCRIZIONE	QUANTITA'	POS	CODICE	DESCRIZIONE	QUANTITA'
1	4402011504	COUVERCLE SKIMMER PISCINE HORS SO		5	4402011505	GUARNIZIONE PER CORNICE PISCINA FUC	
2	4402011503	COPERCHIO CESTELLO PISCINA FUORI TI		6	4402011506	COPERCHIO E FLANGIA PISCINA FUORI TE	
3	4402011502	CESTELLO SKIMMER PISCINA FUORI TERF		7	4402011507	MANICOTTO SKIMMER PISCINA FUORI TERF	
4	4402011501	BATTENTE SKIMMER PISCINA FUORI TERF					

CODE **09714**

BESCHREIBUNG: **SKIMMER AUFSTELLBECKEN**

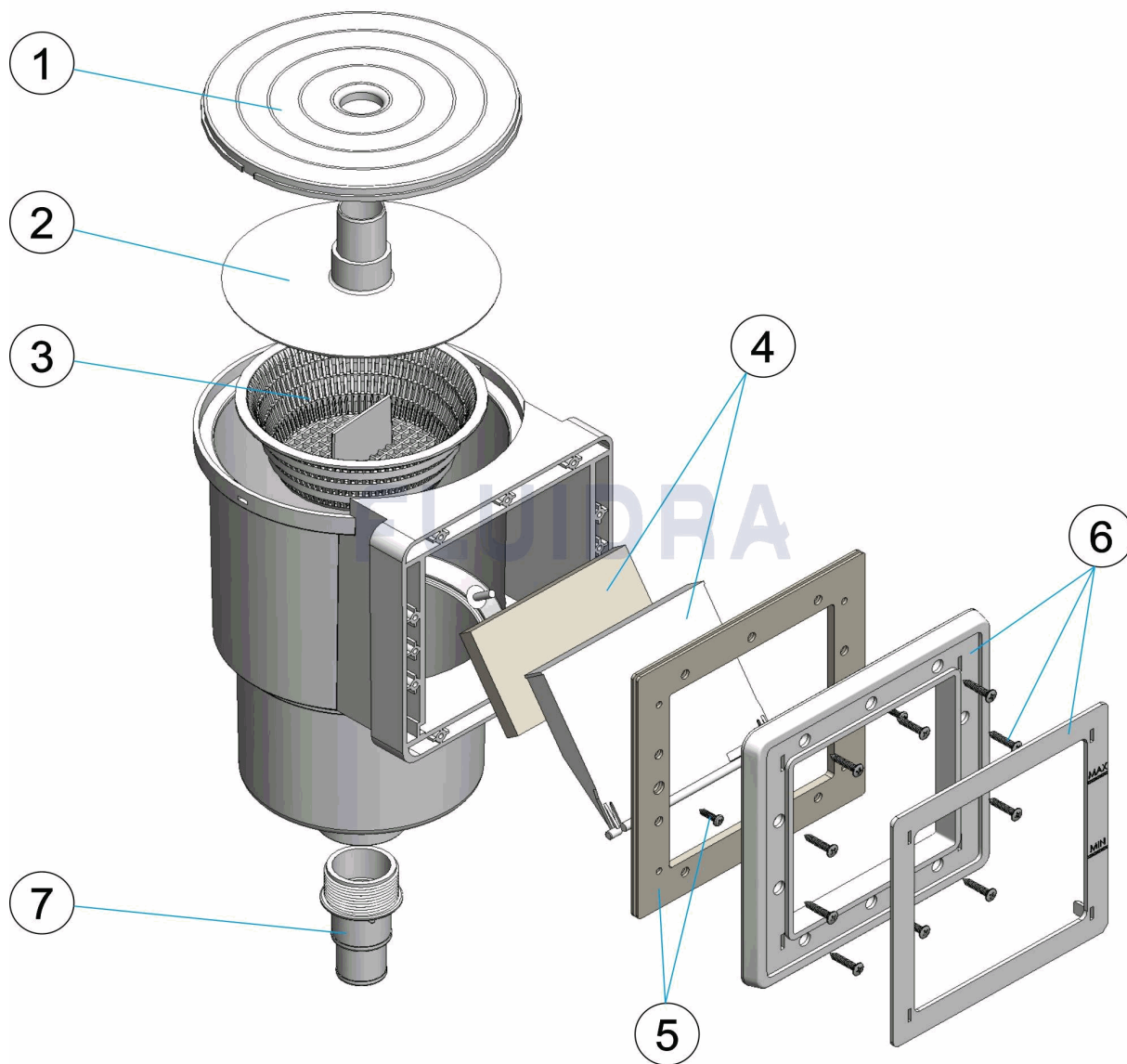


DEUTSCH

POS	CODE	BESCHREIBUNG	MENGE	POS	CODE	BESCHREIBUNG	MENGE
1	4402011504	SKIMMERABDECKUNG AUFSTELLBECKEN		5	4402011505	DICHTUNGEN RAHMEN AUFSTELLBECKEN	
2	4402011503	ABDECKUNG KORB AUFSTELLBECKEN		6	4402011506	ABDECKUNG UND RAHMEN AUFSTELLBEC	
3	4402011502	SKIMMERKORB AUFSTELLBECKEN		7	4402011507	NIPPEL SKIMMER AUFSTELLBECKEN	
4	4402011501	SKIMMERKLAPPE AUFSTELLBECKEN					

CODIGO **09714**

DESCRIÇÃO: **SKIMMER PISCINA ELEVADA**



PORTUGUES

POS	CODIGO	DESCRIÇÃO	JANTIDADE	POS	CODIGO	DESCRIÇÃO	JANTIDADE
1	4402011504	TAMPA SKIMMER PISCINA ELEVADA		5	4402011505	JUNTAS MARCO PISCINA ELEVADA	
2	4402011503	TAMPA CESTO PISCINA ELEVADA		6	4402011506	TAMPA E MARCO PISCINA ELEVADA	
3	4402011502	CESTO SKIMMER PISCINA ELEVADA		7	4402011507	RACORD SKIMMER PISCINA ELEVADA	
4	4402011501	COMPORTA SKIMMER PISCINA ELEVADA					