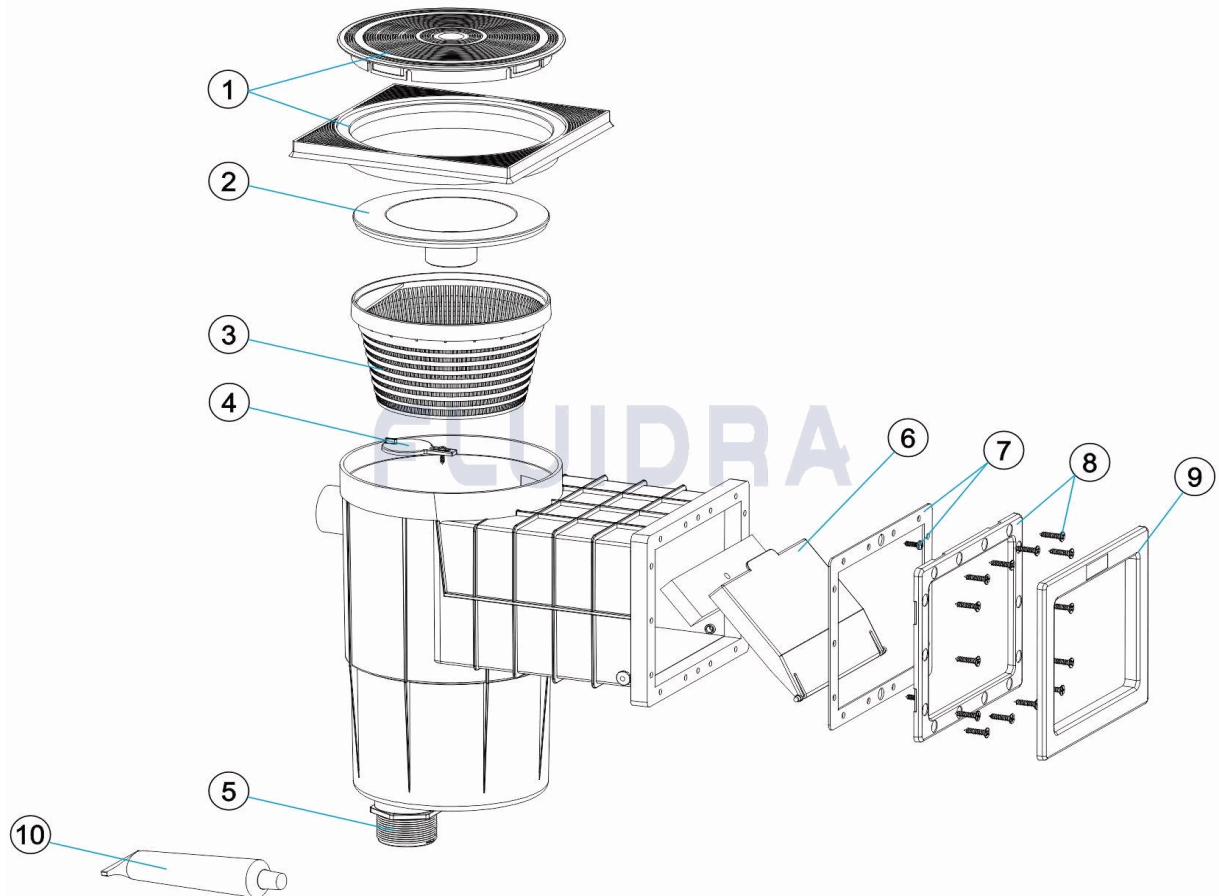
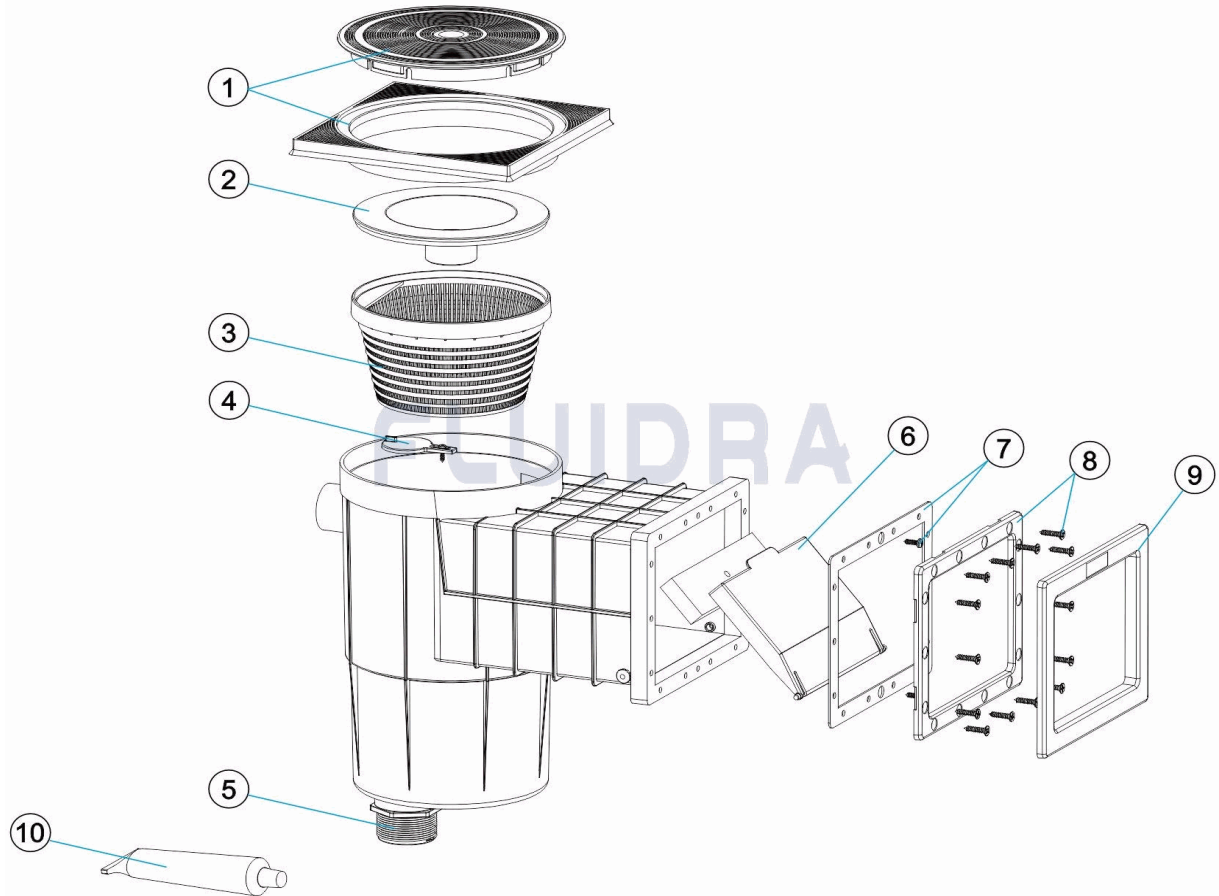


CODIGO **A-003-NEW**

 DESCRIPCION: **SKIMMER PP B.STD. T. CIRC.**

**ESPAÑOL**

| POS | CODIGO     | DESCRIPCION             | CANTIDAD | POS | CODIGO     | DESCRIPCION            | CANTIDAD |
|-----|------------|-------------------------|----------|-----|------------|------------------------|----------|
| 1   | SP-02-0042 | MARCO CUADRADO Y TAPA   |          | 6   | SP-02-0123 | COMPUERTA SKIMMER      |          |
| 2   | SP-02-0043 | TAPA ASPIRACION SKIMMER |          | 7   | SP-02-0126 | JUNTA ADHESIVA SKIMMER |          |
| 3   | SP-02-0050 | CESTO SKIMMER           |          | 8   | SP-02-0127 | BRIDA BOCA SKIMMER     |          |
| 4   | SP-02-0044 | CLAPETA SKIMMER         |          | 9   | SP-02-0129 | EMBELLECEDOR SKIMMER   |          |
| 5   | SP-02-0049 | MACHON SKIMMER ROSCADO  |          | 10  | 30884      | ADHESIVO PARA ABS      |          |

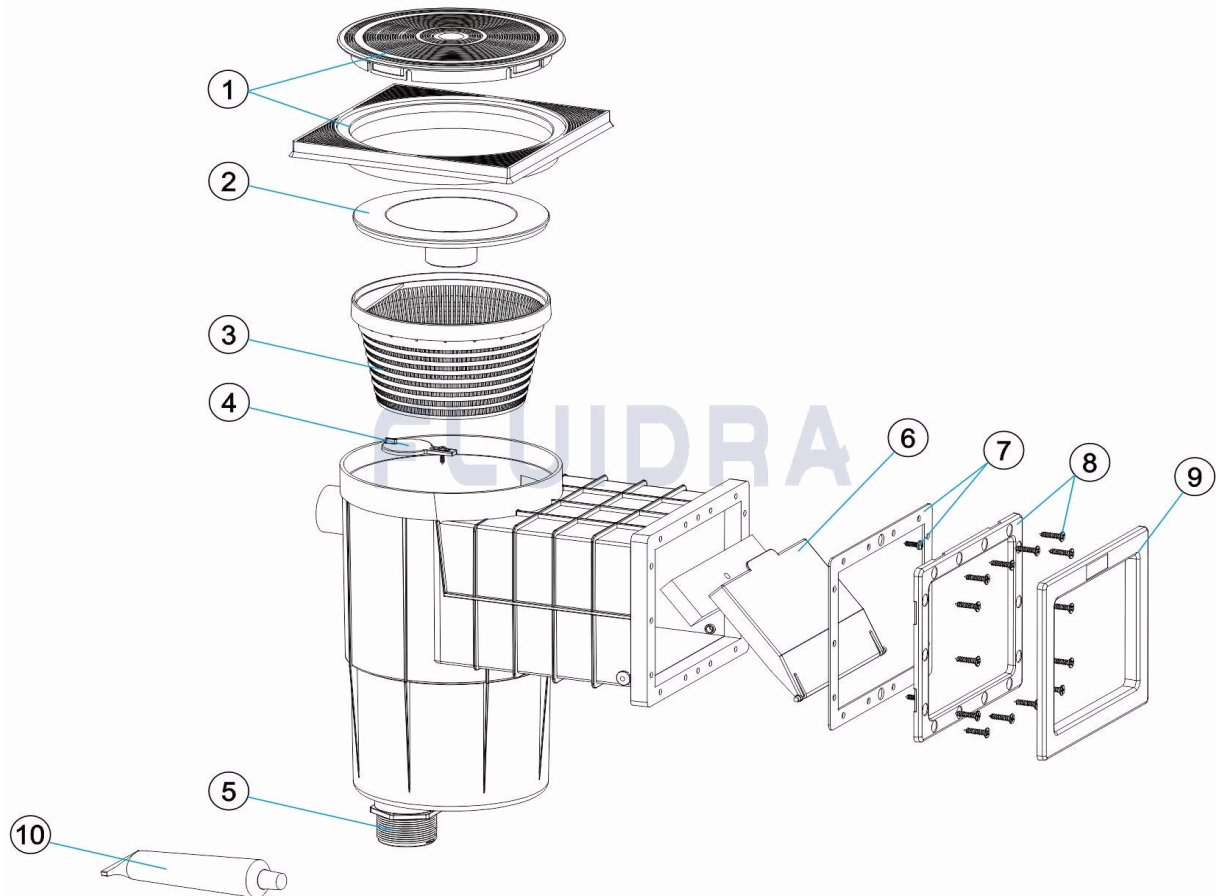
CODE **A-003-NEW**

 DESCRIPTION: **SKIMMER PP B.STD. C. CIRC.**

**FRANCAIS**

| POS | CODE       | DESCRIPTION                  | QUANTITE | POS | CODE       | DESCRIPTION             | QUANTITE |
|-----|------------|------------------------------|----------|-----|------------|-------------------------|----------|
| 1   | SP-02-0042 | CADRE ET COUVERCLE ROND      |          | 6   | SP-02-0123 | COLET DE SKIMMER        |          |
| 2   | SP-02-0043 | COUVERCLE ASPIRATION SKIMMER |          | 7   | SP-02-0126 | JOINT ADHESIF SKIMMER   |          |
| 3   | SP-02-0050 | PANIER SKIMMER               |          | 8   | SP-02-0127 | BRIDE DE BOUCHE SKIMMER |          |
| 4   | SP-02-0044 | CLAPET SKIMMER               |          | 9   | SP-02-0129 | ENJOLIVEUR SKIMMER      |          |
| 5   | SP-02-0049 | MANCHON                      |          | 10  | 30884      | ADHÉSIF POUR ABS        |          |

CODE **A-003-NEW**

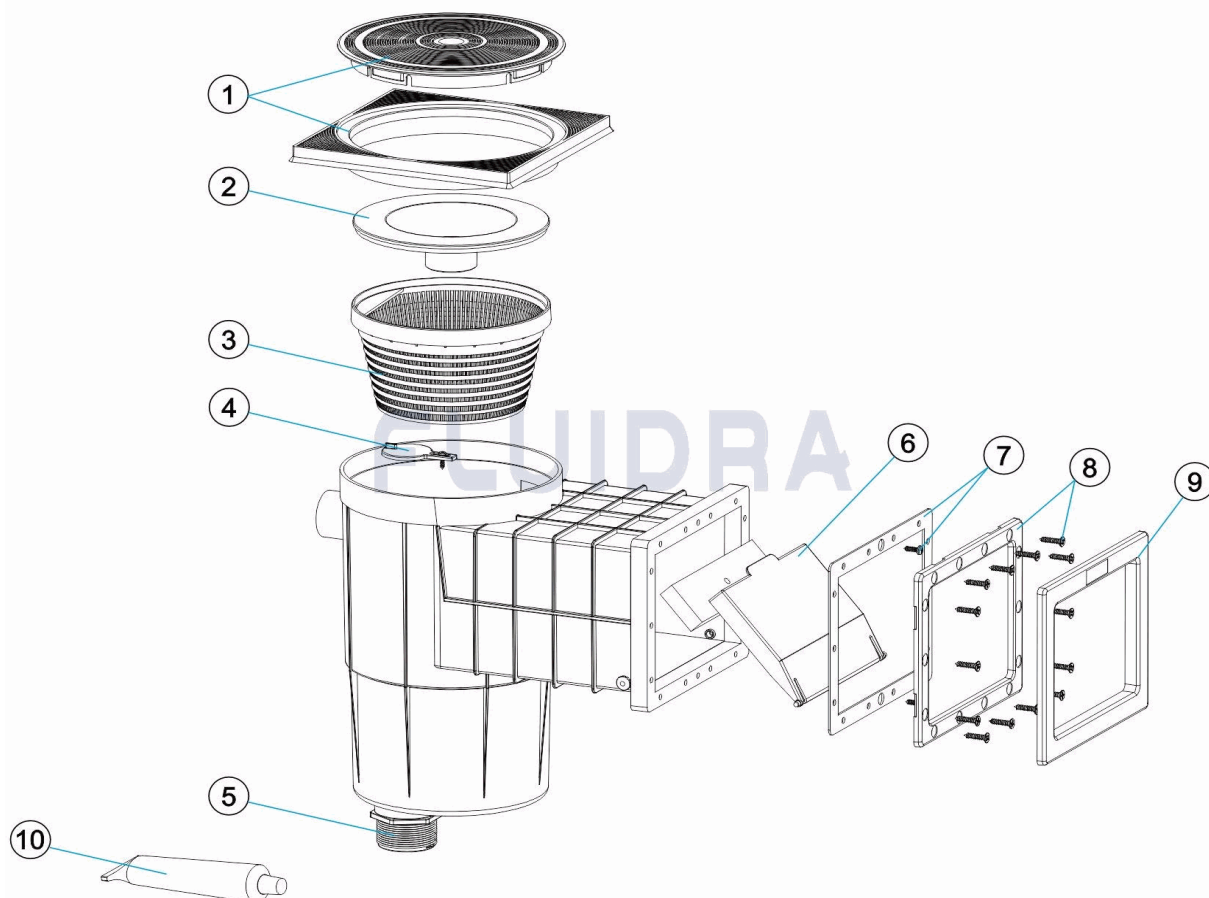
DESCRIPTION: **SKIMMER PP B.STD. CIRC. COVER**



**ENGLISH**

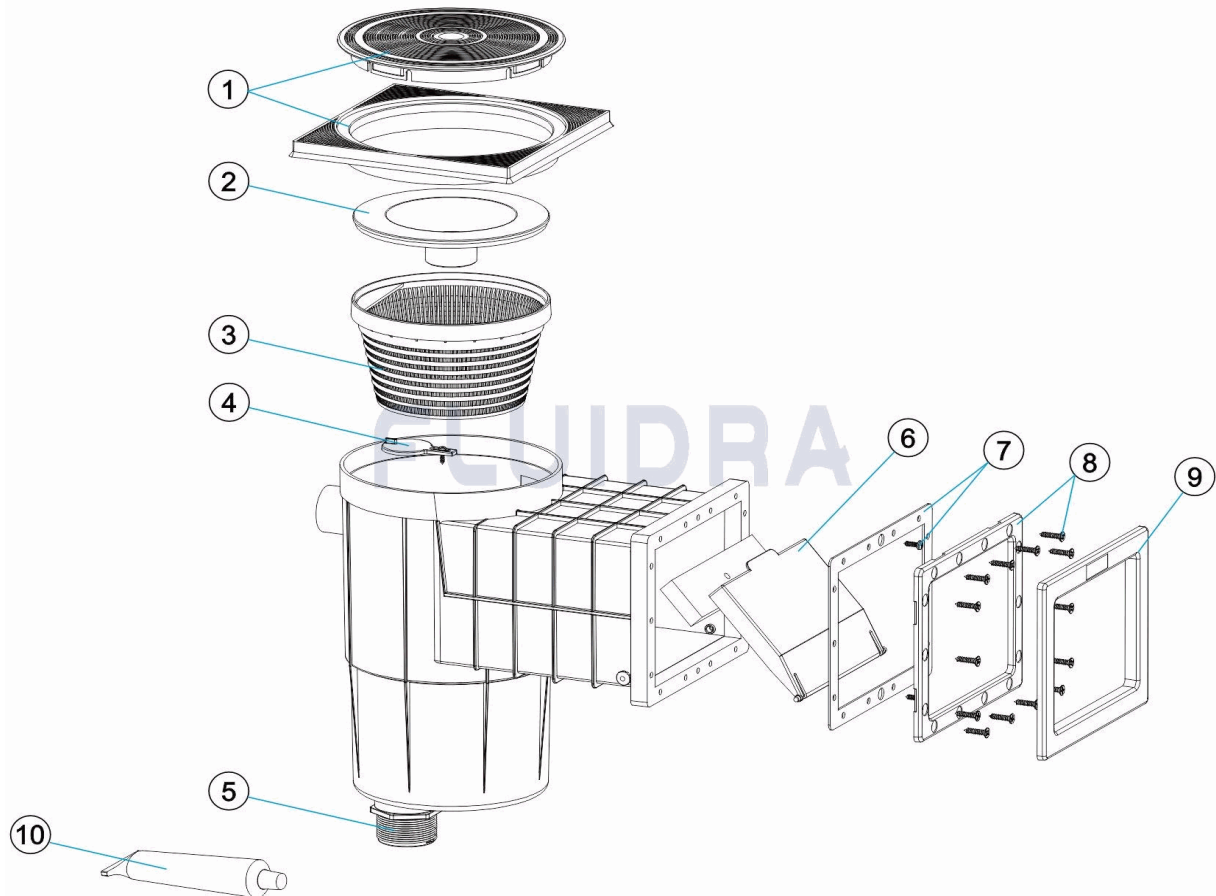
| POS | CODE       | DESCRIPTION                     | QUANTITY | POS | CODE       | DESCRIPTION               | QUANTITY |
|-----|------------|---------------------------------|----------|-----|------------|---------------------------|----------|
| 1   | SP-02-0042 | SQUARE RIM AND LID              |          | 6   | SP-02-0123 | SKIMMER FLAP              |          |
| 2   | SP-02-0043 | SKIMMER BASKET FOR ABOVE GROUND |          | 7   | SP-02-0126 | ADHESIVE GASKET SKIMMER   |          |
| 3   | SP-02-0050 | SKIMMER BASKET                  |          | 8   | SP-02-0127 | FLANGE MOUTH WITH SKIMMER |          |
| 4   | SP-02-0044 | KEYHOLE FLAP                    |          | 9   | SP-02-0129 | SKIMMER FACEPLATE         |          |
| 5   | SP-02-0049 | SPIGOT                          |          | 10  | 30884      | ADHESIVE FOR ABS          |          |

CODICE **A-003-NEW**

 DESCRIZIONE: **SKIMMER PP B. STD. T. CIRC.**

**ITALIANO**

| POS | CODICE     | DESCRIZIONE                     | QUANTITA' | POS | CODICE     | DESCRIZIONE                 | QUANTITA' |
|-----|------------|---------------------------------|-----------|-----|------------|-----------------------------|-----------|
| 1   | SP-02-0042 | FLANGIA QUADRATA E COPERCHIO    |           | 6   | SP-02-0123 | BATTENTE SKIMMER            |           |
| 2   | SP-02-0043 | COPERCHIO ASPIRAZIONE SKIMMER   |           | 7   | SP-02-0126 | GUARNIZIONE ADESIVA SKIMMER |           |
| 3   | SP-02-0050 | CESTELLO SKIMMER                |           | 8   | SP-02-0127 | FLANGIA BOCCHETTASKIMMER    |           |
| 4   | SP-02-0044 | ALETTA PARZIALIZZATRICE SKIMMER |           | 9   | SP-02-0129 | ANELLO FRONTALE SKIMMER     |           |
| 5   | SP-02-0049 | NIPPLIO                         |           | 10  | 30884      | ADESIVO PER ABS             |           |

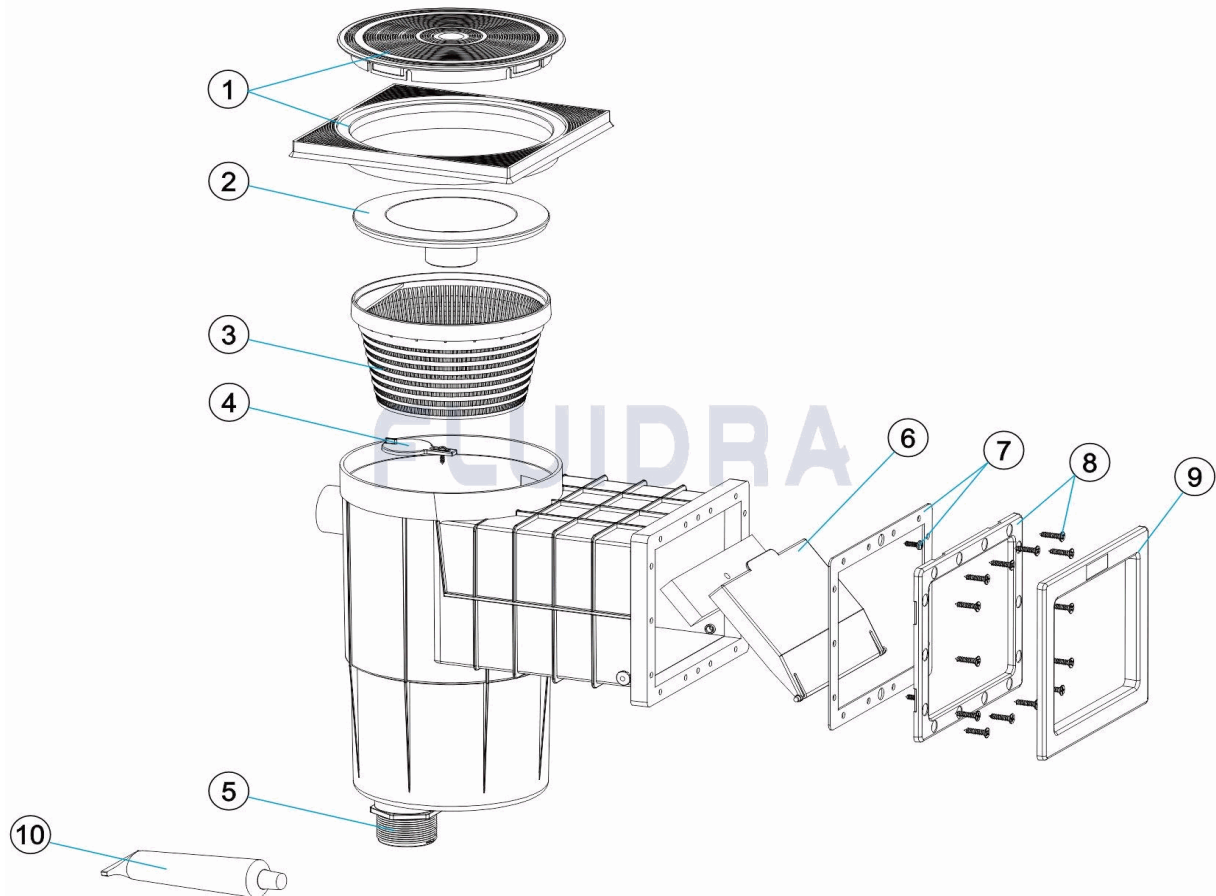
CODE **A-003-NEW**

 BESCHREIBUNG: **SKIMMER PP EINLASS STANDARD ABDECKUNG RUND**


## DEUTSCH

| POS | CODE       | BESCHREIBUNG                     | MENGE | POS | CODE       | BESCHREIBUNG                   | MENGE |
|-----|------------|----------------------------------|-------|-----|------------|--------------------------------|-------|
| 1   | SP-02-0042 | QUADRATISCHER RAHMEN UND ABDECKL |       | 6   | SP-02-0123 | SKIMMERKLAPPE                  |       |
| 2   | SP-02-0043 | ABDECKUNG SKIMMER                |       | 7   | SP-02-0126 | DICHTUNG SELBSTKLEBEND SKIMMER |       |
| 3   | SP-02-0050 | SKIMMERKORB                      |       | 8   | SP-02-0127 | FLANSCH SKIMMEREINLASS         |       |
| 4   | SP-02-0044 | ABDECKKAPPE                      |       | 9   | SP-02-0129 | BLENDE SKIMMER                 |       |
| 5   | SP-02-0049 | SCHRAUBTEIL                      |       | 10  | 30884      | AUFKLEBER ABS                  |       |

CODIGO **A-003-NEW**

 DESCRIÇÃO: **SKIMMER PP B.STD. T. CIRC.**

**PORTUGUES**

| POS | CODIGO     | DESCRIÇÃO               | JANTIDADE | POS        | CODIGO                | DESCRIÇÃO | JANTIDADE |
|-----|------------|-------------------------|-----------|------------|-----------------------|-----------|-----------|
| 1   | SP-02-0042 | ARO QUADRADO E TAMPA    | 6         | SP-02-0123 | BATTENTE SKIMMER      |           |           |
| 2   | SP-02-0043 | TAMPA ASPIRAÇÃO SKIMMER | 7         | SP-02-0126 | JUNTA ADESIVA SKIMMER |           |           |
| 3   | SP-02-0050 | CESTO SKIMMER           | 8         | SP-02-0127 | FLANGE BOCA SKIMMER   |           |           |
| 4   | SP-02-0044 | CLAPETA SKIMMER         | 9         | SP-02-0129 | EMBELEZEDOR SKIMMER   |           |           |
| 5   | SP-02-0049 | MACHO                   | 10        | 30884      | ADESIVO PARA ABS      |           |           |