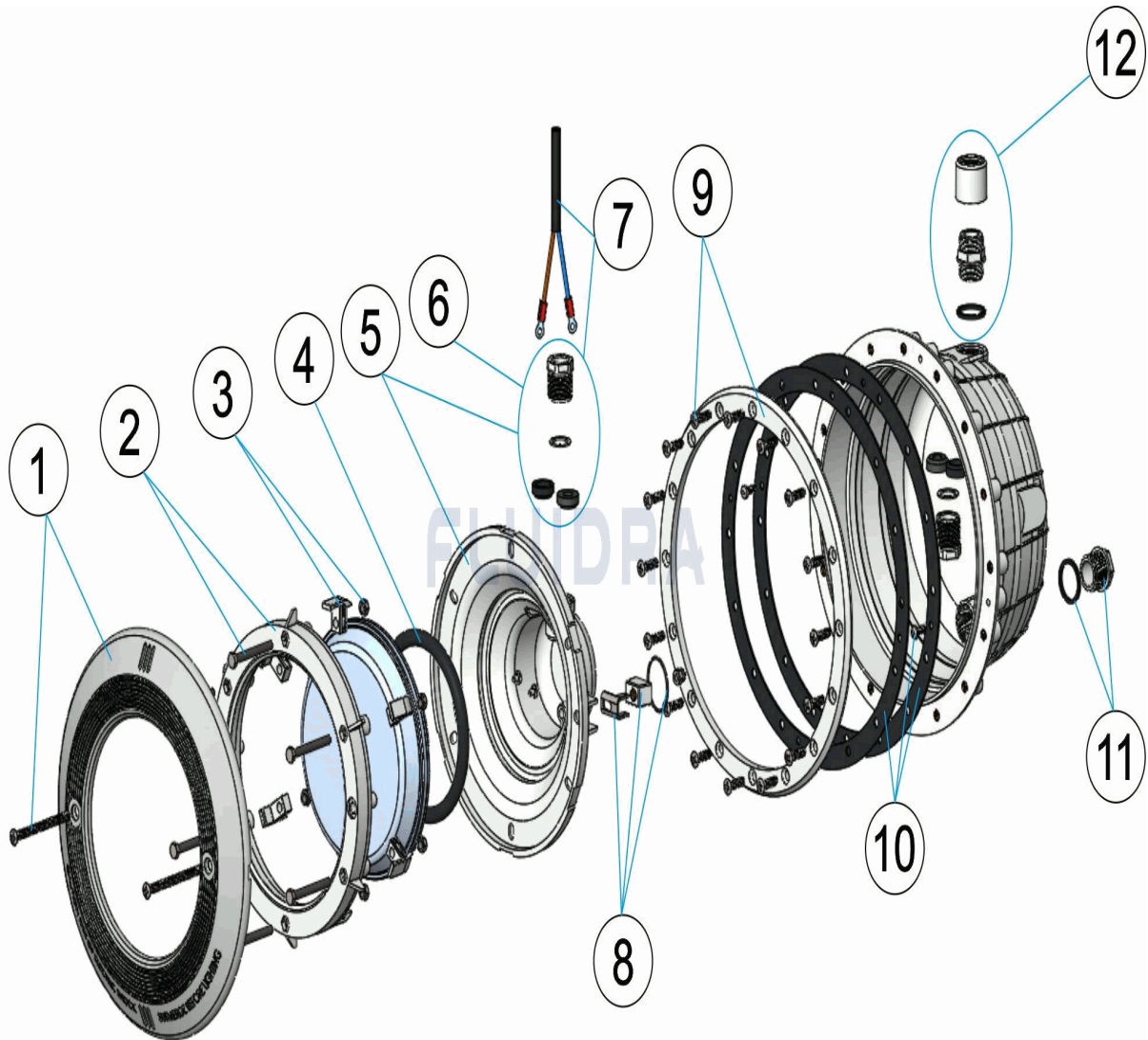


CODIGO LW-039, LC-039

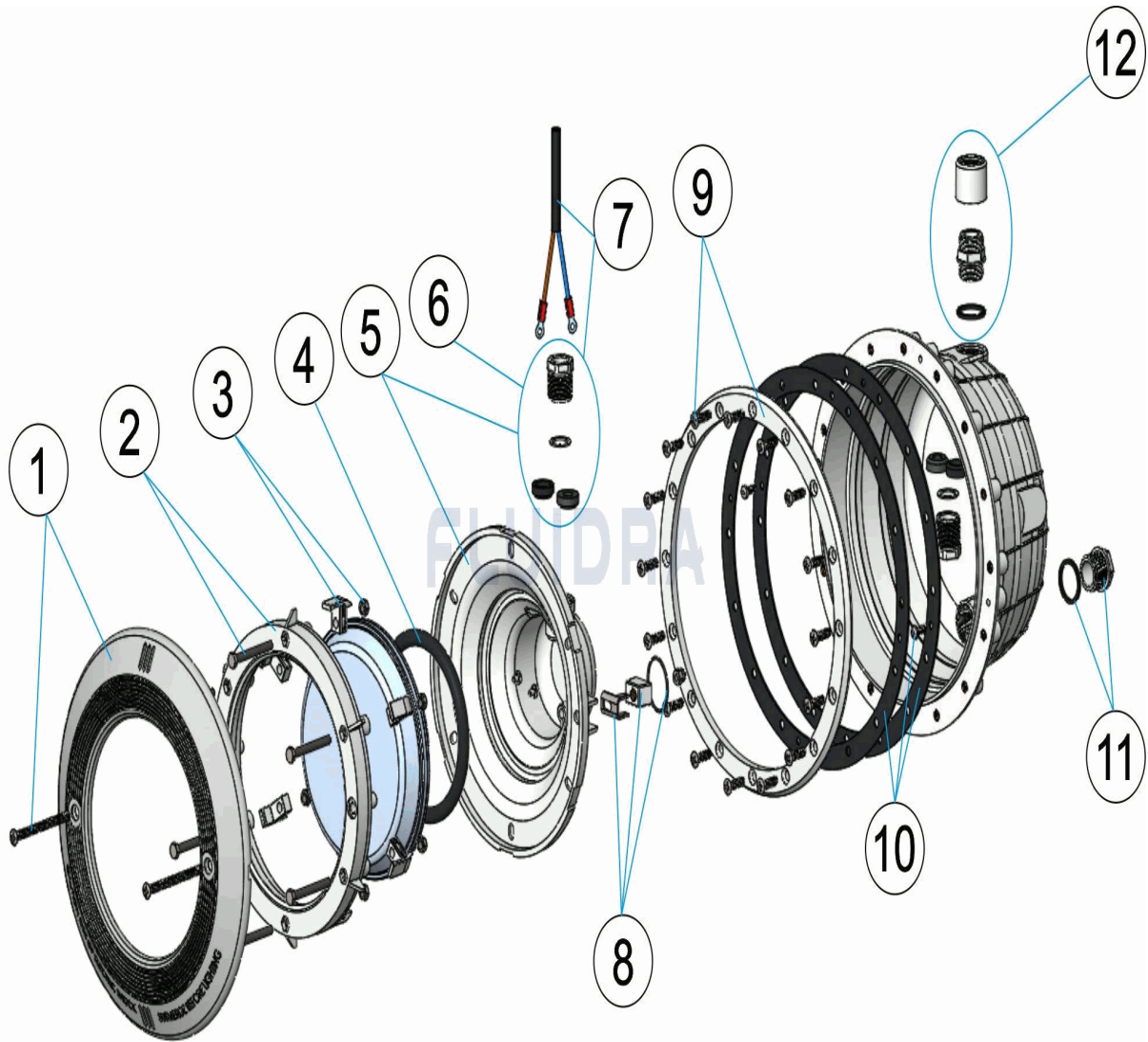
DESCRIPCION: PROYECTOR LED P56 BASIC LINE


ESPAÑOL

POS	CODIGO	DESCRIPCION	CANTIDAD	POS	CODIGO	DESCRIPCION	CANTIDAD
1	SP-03-0012	EMBELLECEDOR PROYECTOR		7	SP-03-0040	CABLE PROYECTOR LEDS	
2	SP-03-0013	ANILLO DE FIJACION		8	SP-03-0041	FIJACION FOCO PROYECTOR A-4	
3	SP-03-0017	CLIP FIJACION PROYECTOR		9	SP-03-0035	ARO PROYECTOR PISCINA PREFABRICADA	
4	SP-03-0015	JUNTA TORICA PROYECTOR		10	SP-03-0036	JUNTA ADHESIVA PROYECTOR	
5	SP-03-0039	FONDO FOCO PROYECTOR M-25		11	SP-03-0019	TAPON NICHOS PROYECTOR	
6	SP-03-0033	PRENSAESTOPAS M25 HALOGENO		12	SP-03-0037	PRENSAESTOPAS CUERPO PROYECTOR I	

CODE LW-039, LC-039

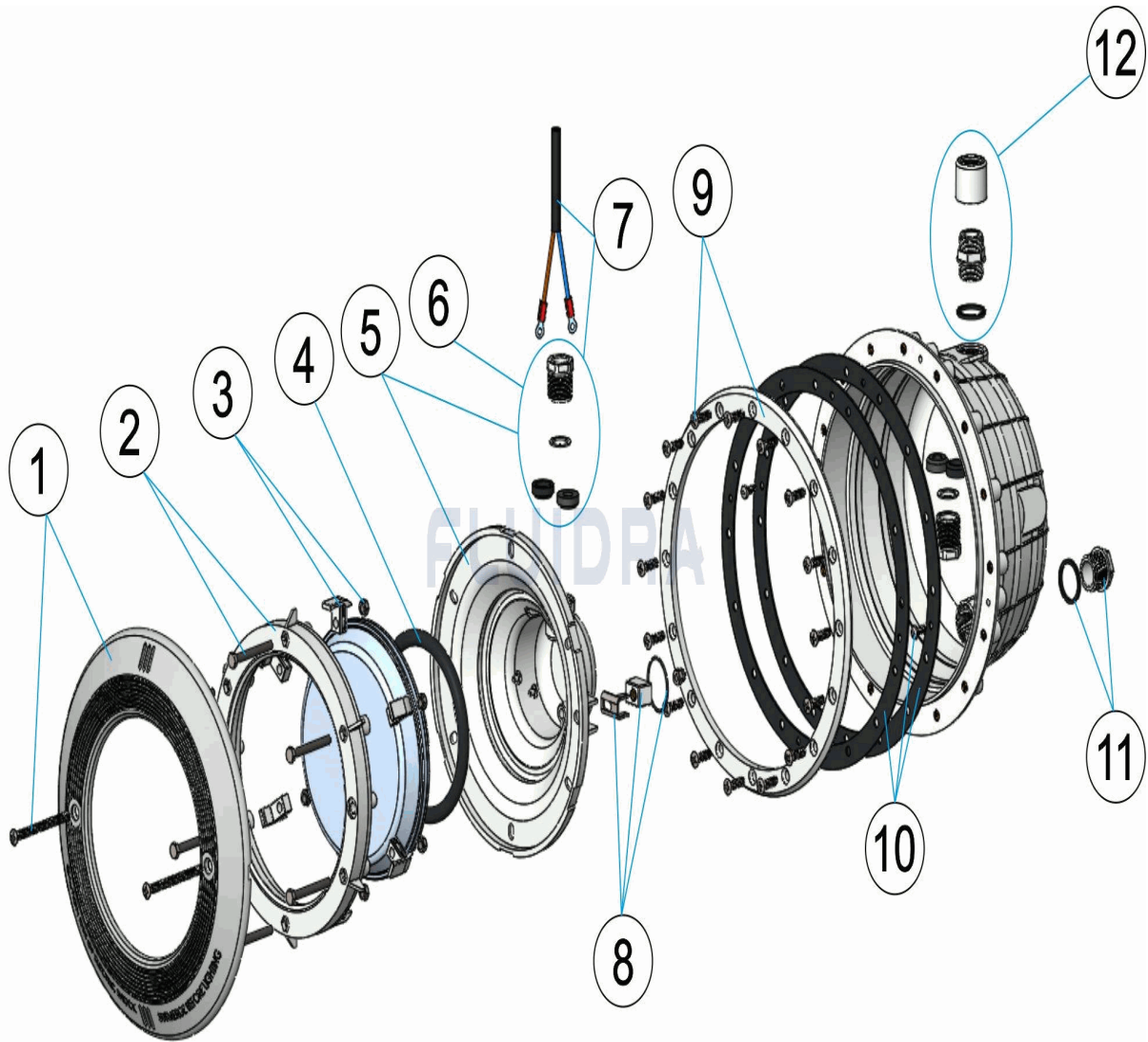
DESCRIPTION: PROJECTEUR LED P56 BASIC LINE


FRANCAIS

POS	CODE	DESCRIPTION	QUANTITE	POS	CODE	DESCRIPTION	QUANTITE
1	SP-03-0012	ENJOLIVEUR DE PROJECTEUR		7	SP-03-0040	CABLE PROJECTOUR LEDS	
2	SP-03-0013	BAGUE		8	SP-03-0041	PLATINE FIXATION A-4	
3	SP-03-0017	CLIP FIXATION PROJECTEUR		9	SP-03-0035	ANNEAU PROJECTEUR PISCINE LINER	
4	SP-03-0015	JOINT TORIQUE PROJECTEUR		10	SP-03-0036	JOINT ADHESIF PROJECTEUR	
5	SP-03-0039	FOND PROJECTEUR M-25		11	SP-03-0019	BOUCHON	
6	SP-03-0033	PRESSE-ETOUPE M 25		12	SP-03-0037	CORPS PRESSE ETOUPE M-25	

CODE LW-039, LC-039

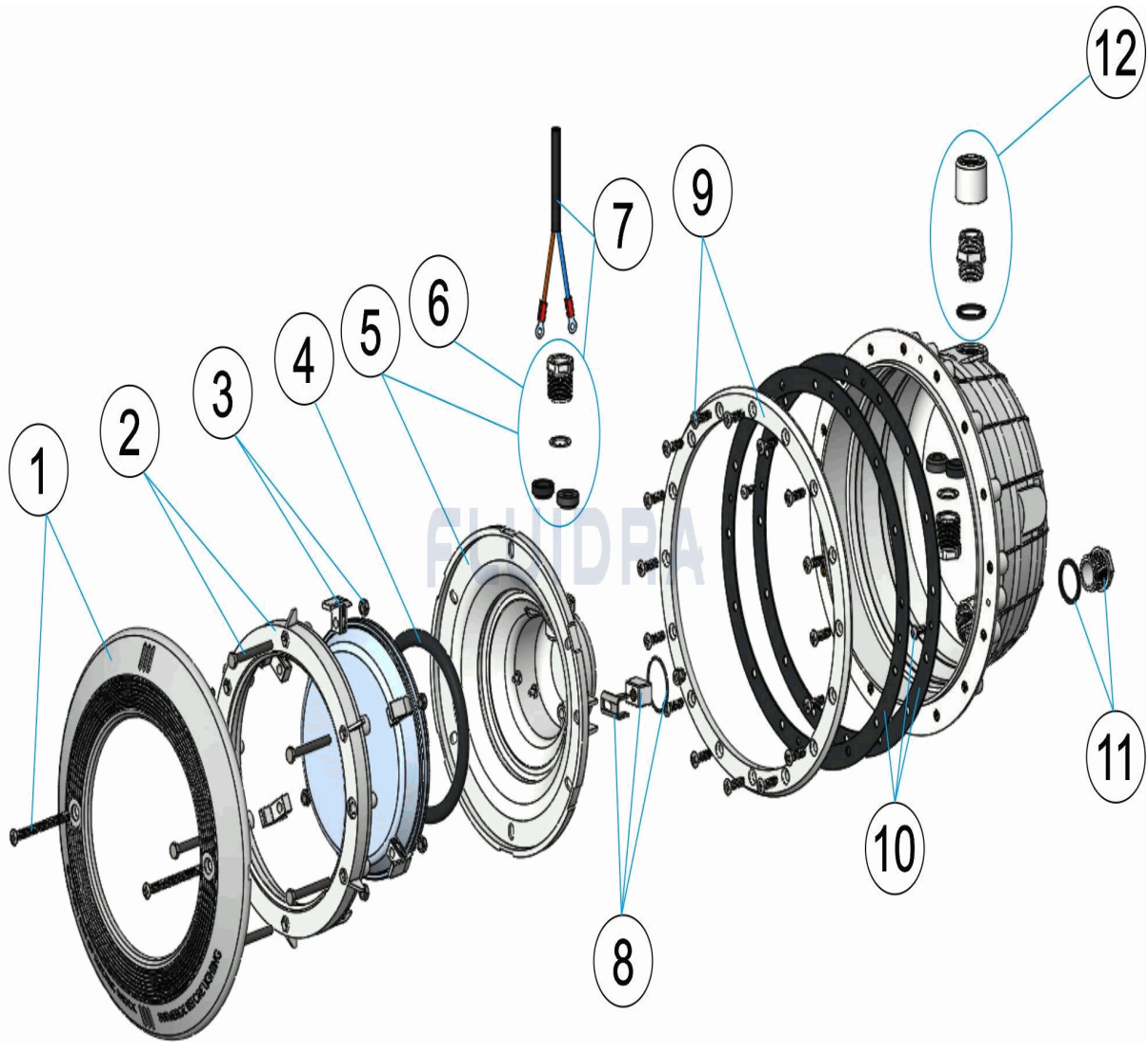
DESCRIPTION: LIGHT LED P56 BASIC LINE



ENGLISH

POS	CODE	DESCRIPTION	QUANTITY	POS	CODE	DESCRIPTION	QUANTITY
1	SP-03-0012	LIGHT FACEPLATE		7	SP-03-0040	CABLE FOR UWL LEDS	
2	SP-03-0013	SHOE RING		8	SP-03-0041	LIGHT FIXING FIXTURES A -4	
3	SP-03-0017	LIGHT FIXING CLIP		9	SP-03-0035	LIGHT RIM	
4	SP-03-0015	LIGHT O RING		10	SP-03-0036	LIGHT ADHESIVE GASKET	
5	SP-03-0039	BACK COVER M-25		11	SP-03-0019	HANDRAIL PLUNG	
6	SP-03-0033	PACKING GLAND M 25		12	SP-03-0037	BODY PACKING GLAND M-25	

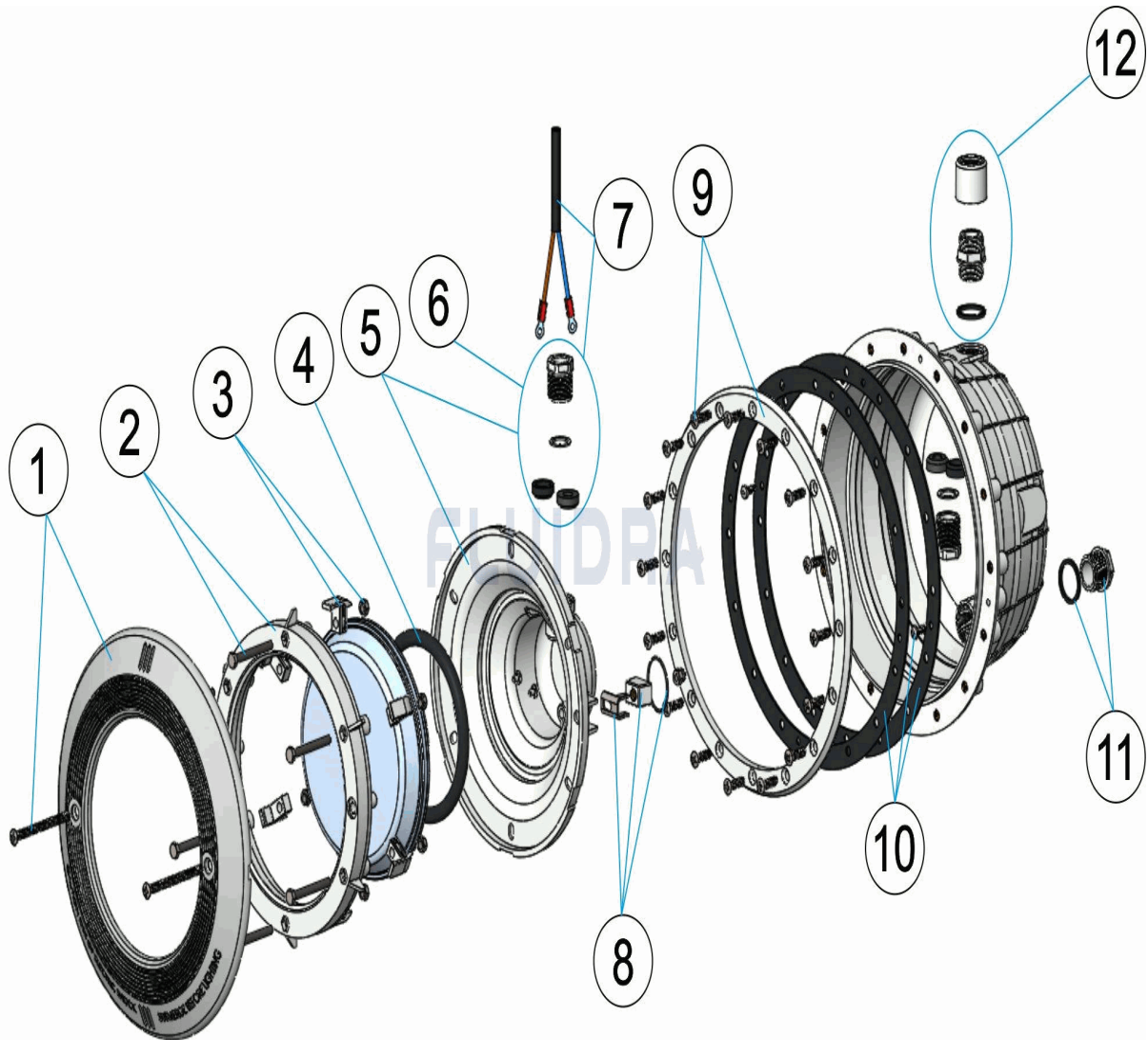
CODICE **LW-039, LC-039**

 DESCRIZIONE: **PROIETTORE LED P56 BASIC LINE**

ITALIANO

POS	CODICE	DESCRIZIONE	QUANTITA'	POS	CODICE	DESCRIZIONE	QUANTITA'
1	SP-03-0012	ANELLO FRONTALE FARO		7	SP-03-0040	CAVO FARO LEDS	
2	SP-03-0013	ANELLO FISSAGGIO		8	SP-03-0041	FISSAGGIO FARO A-4	
3	SP-03-0017	CLIP FISSAGGIO FARO		9	SP-03-0035	COPRIFLANGIA FARO P.F.	
4	SP-03-0015	O-RING FARO		10	SP-03-0036	GUARNIZIONE ADESIVA FARO	
5	SP-03-0039	CALOTTA FARO M-25		11	SP-03-0019	TAPPO	
6	SP-03-0033	PRESSACAVI M 25		12	SP-03-0037	PRESSACAVI CORPO M-25	

CODE LW-039, LC-039

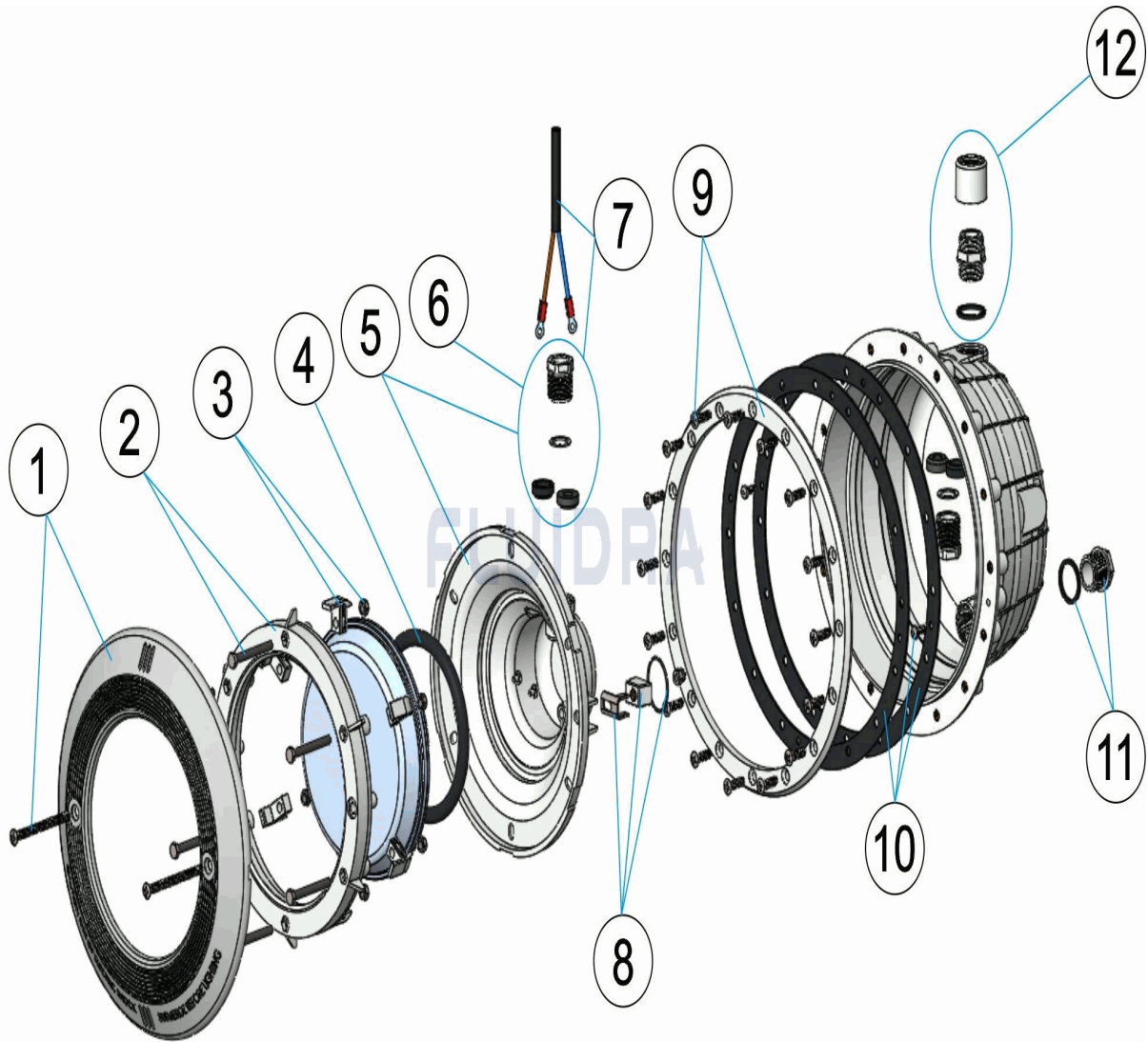
BESCHREIBUNG: UWS LED P56 BASIC LINE


DEUTSCH

POS	CODE	BESCHREIBUNG	MENGE	POS	CODE	BESCHREIBUNG	MENGE
1	SP-03-0012	BLLENDE UWS		7	SP-03-0040	UWS-KABEL LED	
2	SP-03-0013	FIXIERRING		8	SP-03-0041	FIXIERUNG LAMPE UWS A-4	
3	SP-03-0017	FIXIERCLIP UWS		9	SP-03-0035	RING UWS FERTIGBECKEN	
4	SP-03-0015	O-RING UWS		10	SP-03-0036	DICHTUNG SELBSTKLEBEND UWS	
5	SP-03-0039	BASIS UWS M-25		11	SP-03-0019	STOPFEN EINBAUTOPF UWS	
6	SP-03-0033	QUETSCHVERSCHRAUBUNG M25 HALOG		12	SP-03-0037	QUETSCHVERSCHRAUBUNG GEHÄUSE UV	

CODIGO **LW-039, LC-039**

DESCRIÇÃO: **PROJECTOR LED P56 BASIC LINE**



PORTUGUES

POS	CODIGO	DESCRIÇÃO	JANTIDADE	POS	CODIGO	DESCRIÇÃO	JANTIDADE
1	SP-03-0012	EMBELEZADOR PROJECTOR		7	SP-03-0040	CABO PROJECTOR LEDS	
2	SP-03-0013	ANEL DE FIXAÇÃO		8	SP-03-0041	FIXAÇÃO FOCO PROJECTOR A-4	
3	SP-03-0017	CLIP FIXAÇÃO PROJECTOR		9	SP-03-0035	ARO PROJECTOR PISC. PRÉF.	
4	SP-03-0015	JUNTA TÓRICA PROJECTOR		10	SP-03-0036	JUNTA ADESIVA PROJECTOR	
5	SP-03-0039	FUNDO FOCO PROJECTOR M-25		11	SP-03-0019	TAMPAO	
6	SP-03-0033	BUCIN M-25		12	SP-03-0037	BUCIN CORPO M-25	